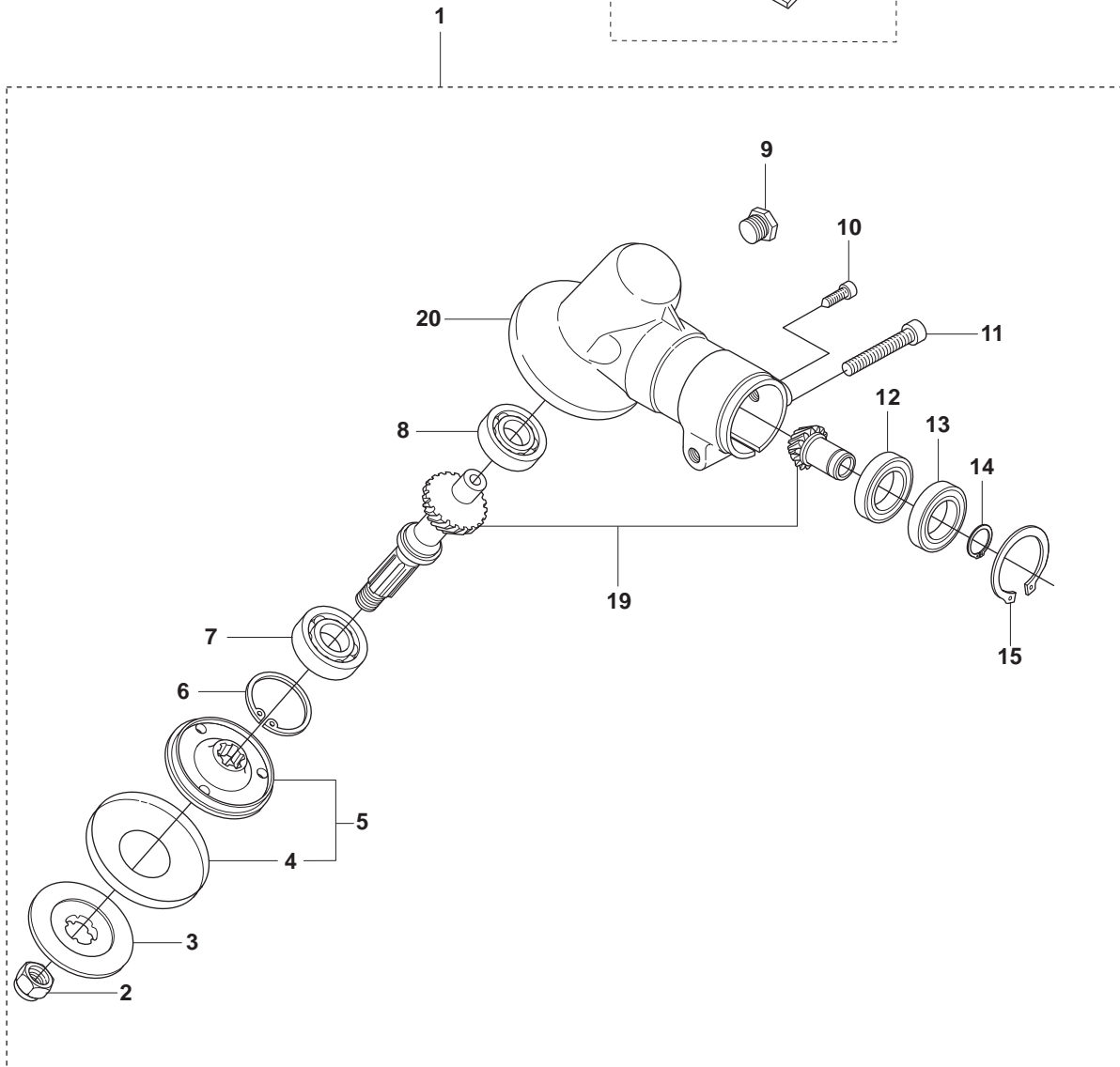
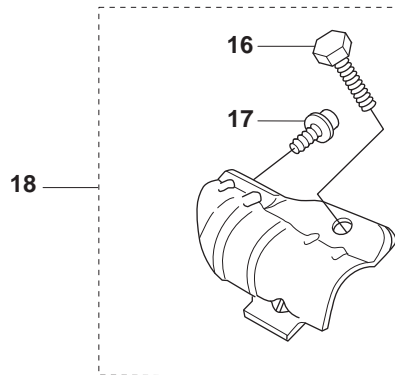


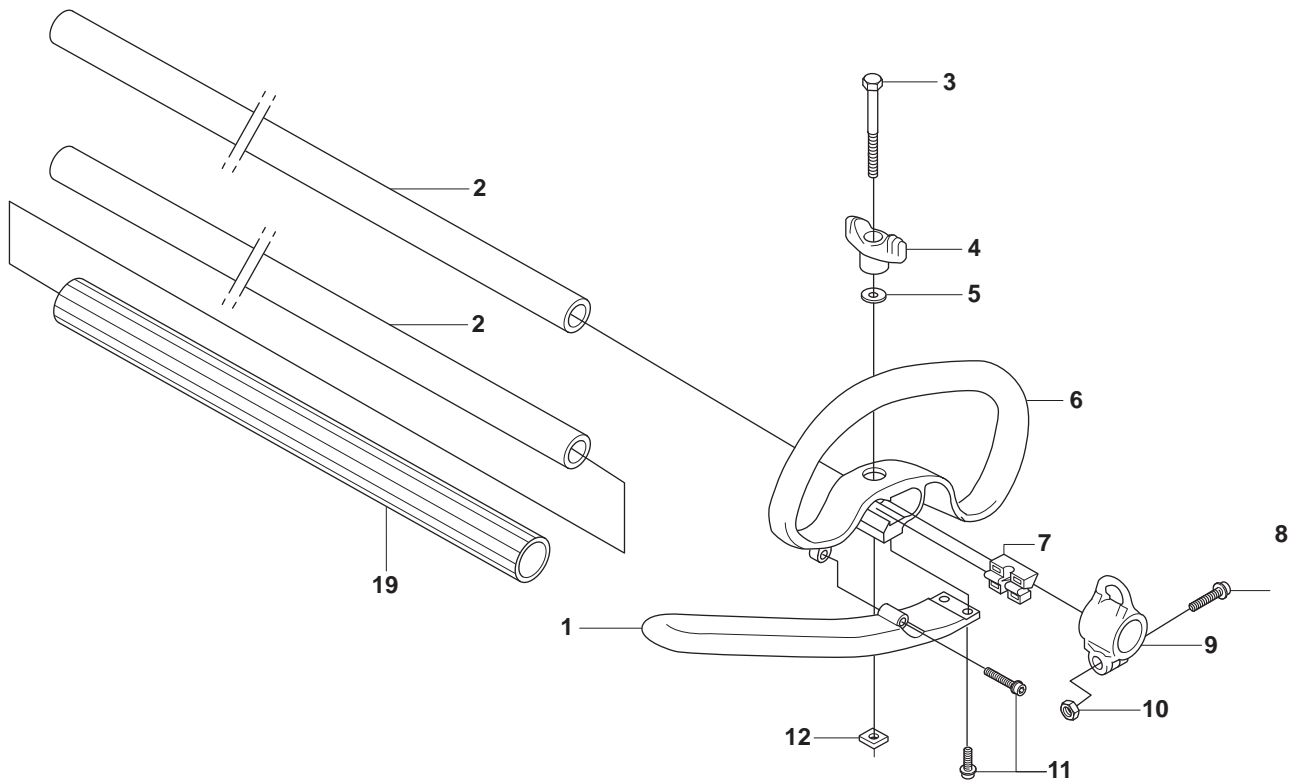
**A** 327LS, LX, LDX, RX, RDX, RJX, 323RII  
BEVEL GEAR



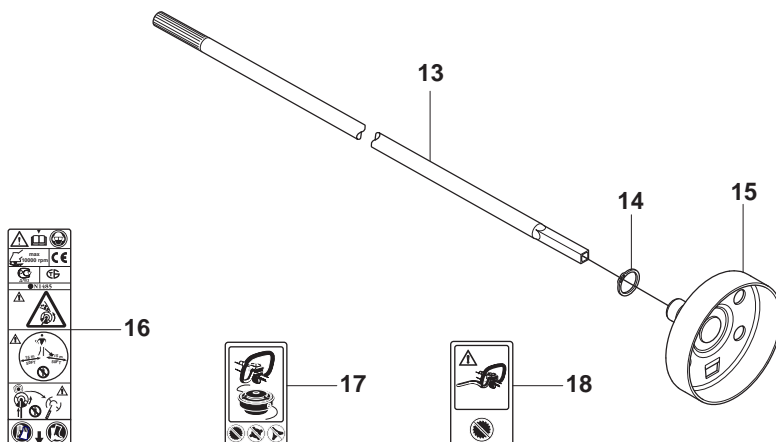
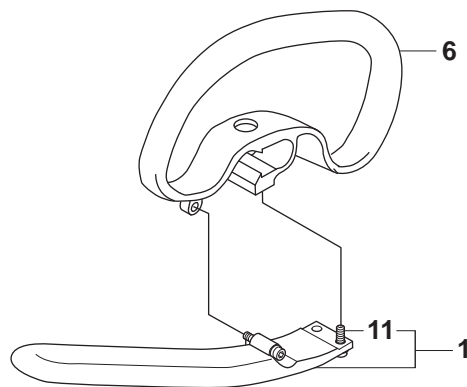
**Page A**    **327LS, LX, LDX, RX, RDX, RJX, 323RII**    **BEVEL GEAR**

<b>Position</b>	<b>Article</b>	<b>Quantity</b>	<b>Notes</b>	<b>Kit</b>
1	537 19 92-02	1		
2	503 85 63-01	1		1
3	537 28 56-01	1		1
4	537 29 26-01	1		1
5	537 23 49-01	1		1
6	735 31 28-10	1		1
7	503 25 24-01	1		1
8	738 21 98-00	1		1
9	503 20 15-01	1		1
10	503 20 14-12	1		1
11	503 20 07-25	1		1
12	738 21 99-00	1		1
13	738 21 99-02	1		1
14	735 31 11-00	1		1
15	735 31 25-10	1		1
16	725 23 70-51	1		18
17	503 20 07-12	1		18
18	574 30 69-01	1	Captive screws	
19	537 04 10-01	1		
20	537 33 37-01	1		

# B 327LX, RJX SHAFT & HANDLE

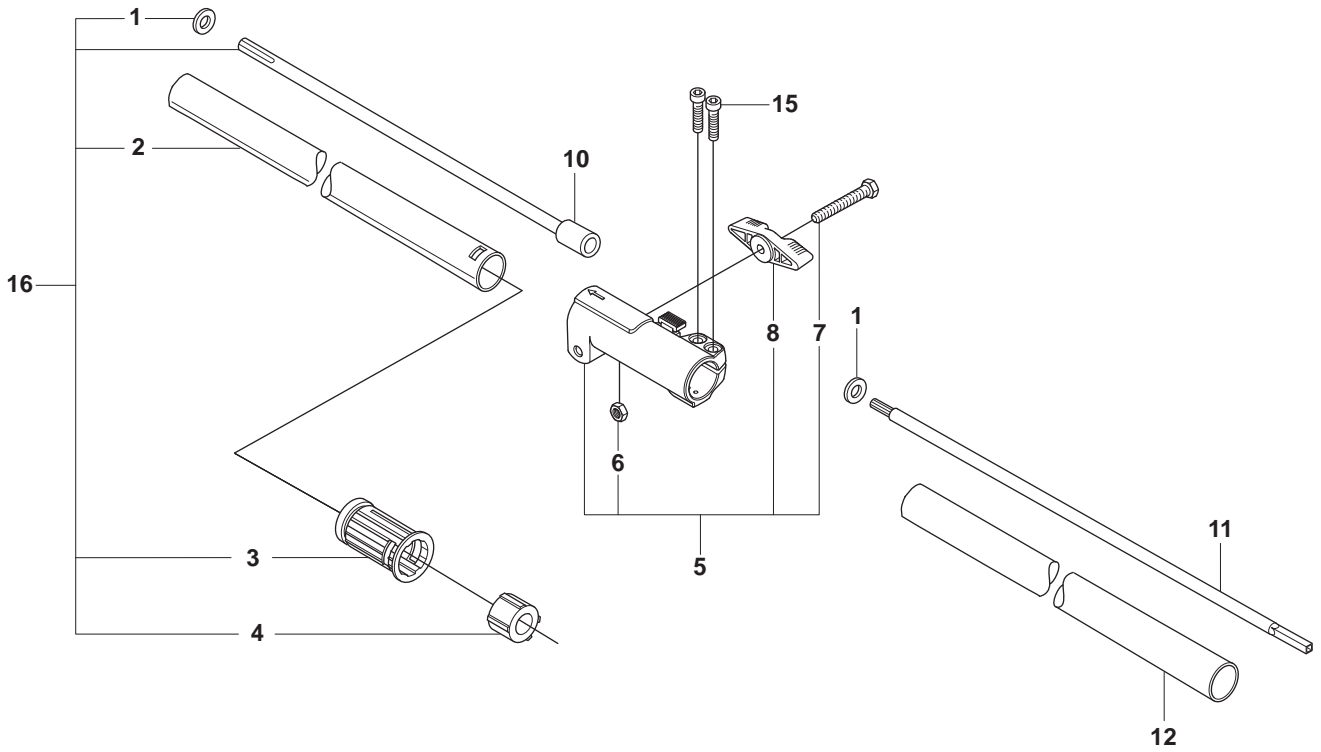


## Captive screws



Position	Article	Quantity	Notes	Kit
1	503 99 78-01	1	RJx	
1	503 99 78-04	1	Captive screws	
2	503 88 88-01	1	L=1483mm Ø=24mm	
2	540 05 38-01	1	RJx L=1483mm Ø=24mm France	
3	725 23 78-51	1	L, LS. M6X40	
3	725 23 80-51	1	Lx, RJxM6X50	
4	503 87 90-01	1	Lx	
5	503 23 00-61	1	L, LS	
6	503 87 19-03	1		
6	503 87 19-08	1	Captive screws	
7	503 94 03-01	1		
8	503 20 07-16	1	RJx	
9	503 94 10-01	1	RJx	
10	731 23 14-01	1	RJx	
11	503 21 68-16	3	RJx	
11	574 18 15-01	3	Captive screws	
12	502 19 71-01	1		
13	537 23 48-01	1	L=1525mm Ø=7mm	
14	735 31 12-00	1		
15	537 23 75-01	1		
16	537 29 48-01	1		
17	503 79 56-01	1		
18	537 10 10-01	1	RJx	
19	537 08 55-01	1	France	

**C** 327LDx, RDx  
SHAFT



13



14

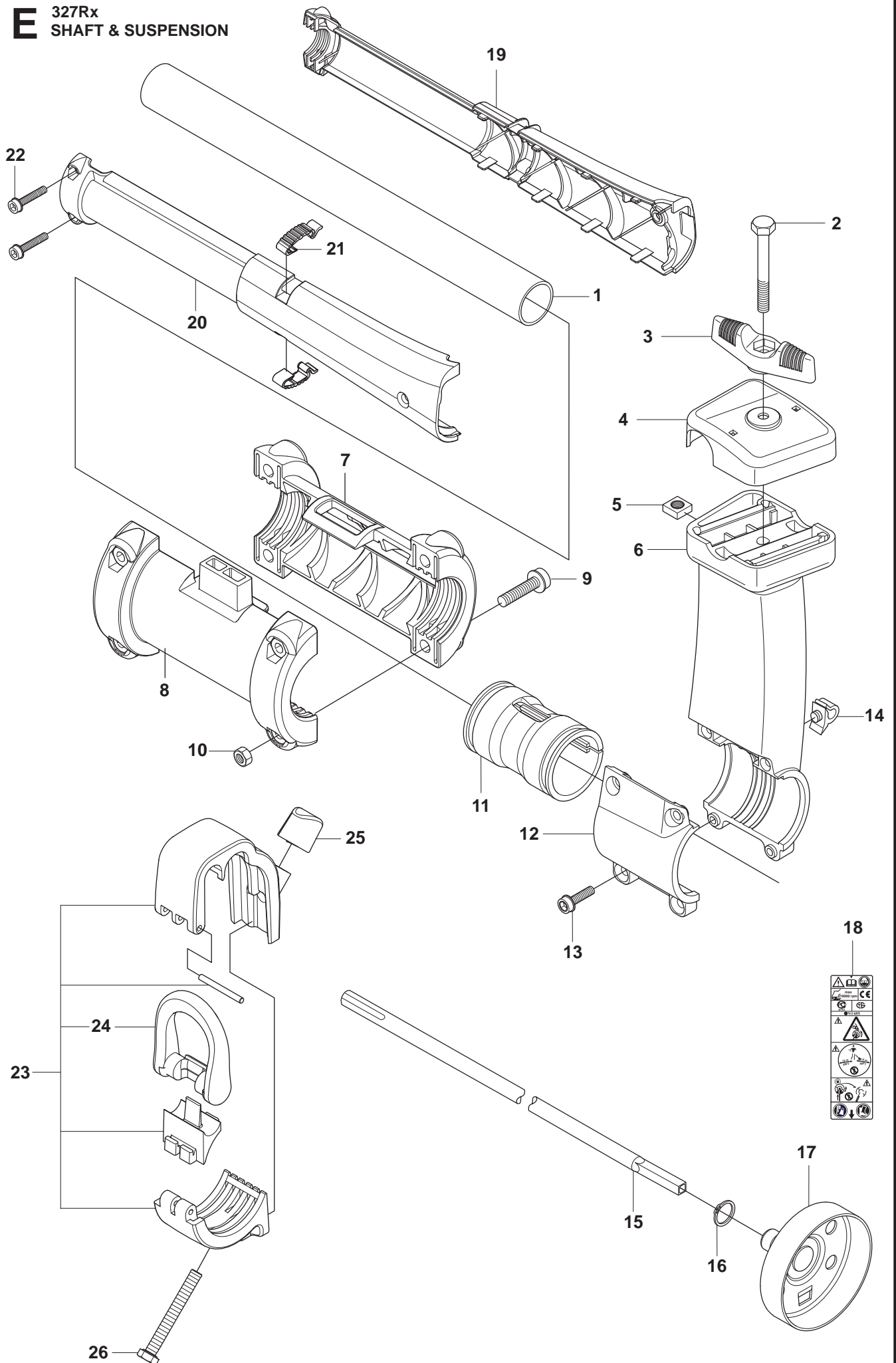
Page C		327LDx, RDx		SHAFT	
Position	Article	Quantity	Notes	Kit	
1	735 58 08-10	2		16	
2	537 08 27-01	1	L=850mm Ø=24mm	16	
3	544 37 87-01	1		16	
4	503 78 52-01	1		16	
5	544 36 75-01	1			
6	731 23 16-01	1		5	
7	725 23 76-51	1		5	
8	502 20 38-01	1		5	
10	537 01 19-01	1	L=825mm Ø=7mm	16	
11	544 11 37-01	1	L=699mm Ø=7mm		
12	537 01 16-01	1	L=650mm Ø=24mm		
13	537 29 48-01	1			
14	503 79 56-01	1			
14	504 79 56-01	2			
14	505 79 56-01	3			
14	506 79 56-01	4			
15	503 20 07-25	2			
16	537 07 99-02	1			



Position	Article	Quantity	Notes	Kit
1	725 23 86-51	1		
2	503 87 90-01	1		
3	503 72 29-01	1		
5	503 88 88-01	1		
6	503 88 23-01	1		
7	503 20 07-16	1		
8	503 94 10-01	1		
9	731 23 14-01	1		
10	503 21 75-25	2		
11	502 19 71-01	1		
12	537 23 48-01	1		
13	735 31 12-00	1		
14	537 23 75-01	1		
15	537 29 48-01	1		

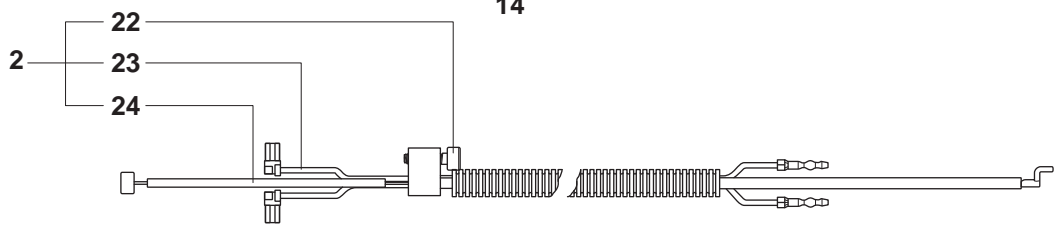
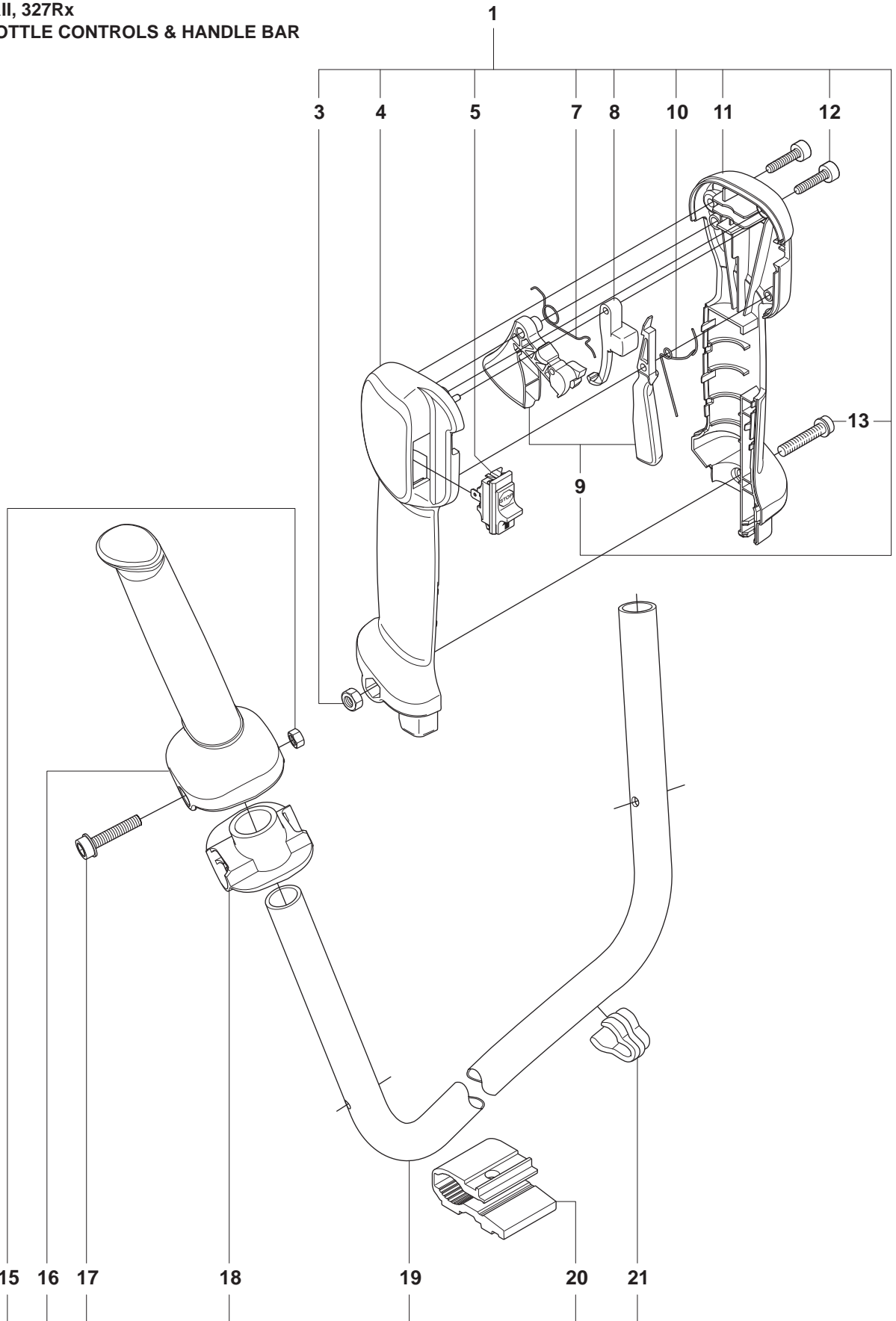


**E** 327Rx  
SHAFT & SUSPENSION



Position	Article	Quantity	Notes	Kit
1	503 88 88-01	1		
2	725 23 82-85	1		
3	502 20 38-01	1		
4	537 37 63-01	1		
5	502 19 71-01	1		
6	537 34 86-01	1		
7	501 38 03-03	1		
8	505 22 04-03	1		
9	503 20 07-78	4		
10	731 23 14-01	4		
11	537 34 89-01	1		
12	537 34 87-01	1		
13	503 21 06-19	4		
14	502 28 61-01	1		
15	537 23 48-01	1		
16	735 31 12-00	1		
17	537 23 75-01	1		
18	537 29 48-01	1		
19	505 13 71-02	1		
20	505 13 72-02	1		
21	537 38 72-01	2		
22	503 20 07-78	2		
23	505 16 09-01	1		
24	537 35 01-01	1		
25	537 13 04-02	1		
26	725 23 39-51	1		

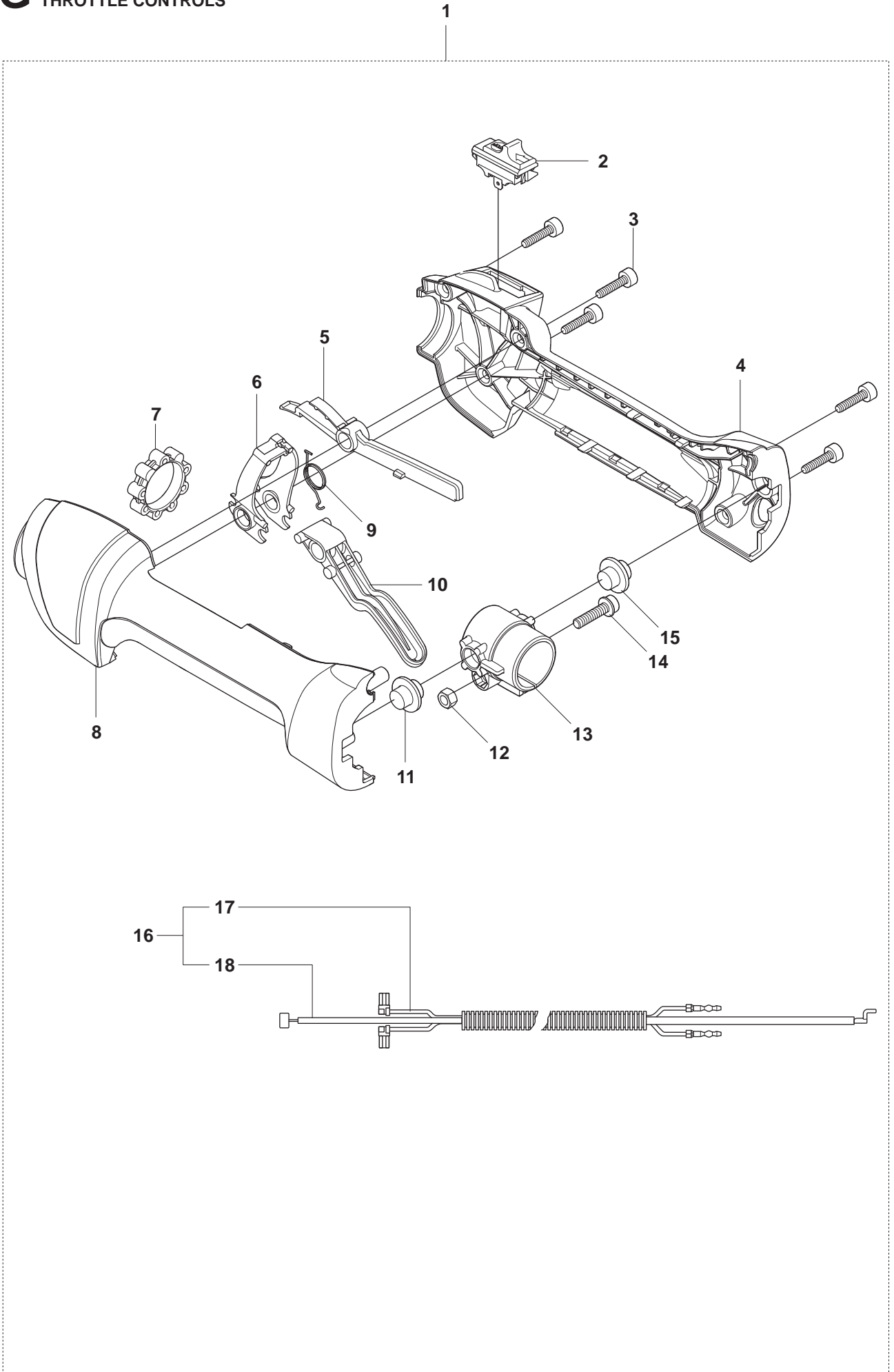
**F** 323RII, 327Rx  
THROTTLE CONTROLS & HANDLE BAR



THROTTLE CONTROLS &  
HANDLE BAR

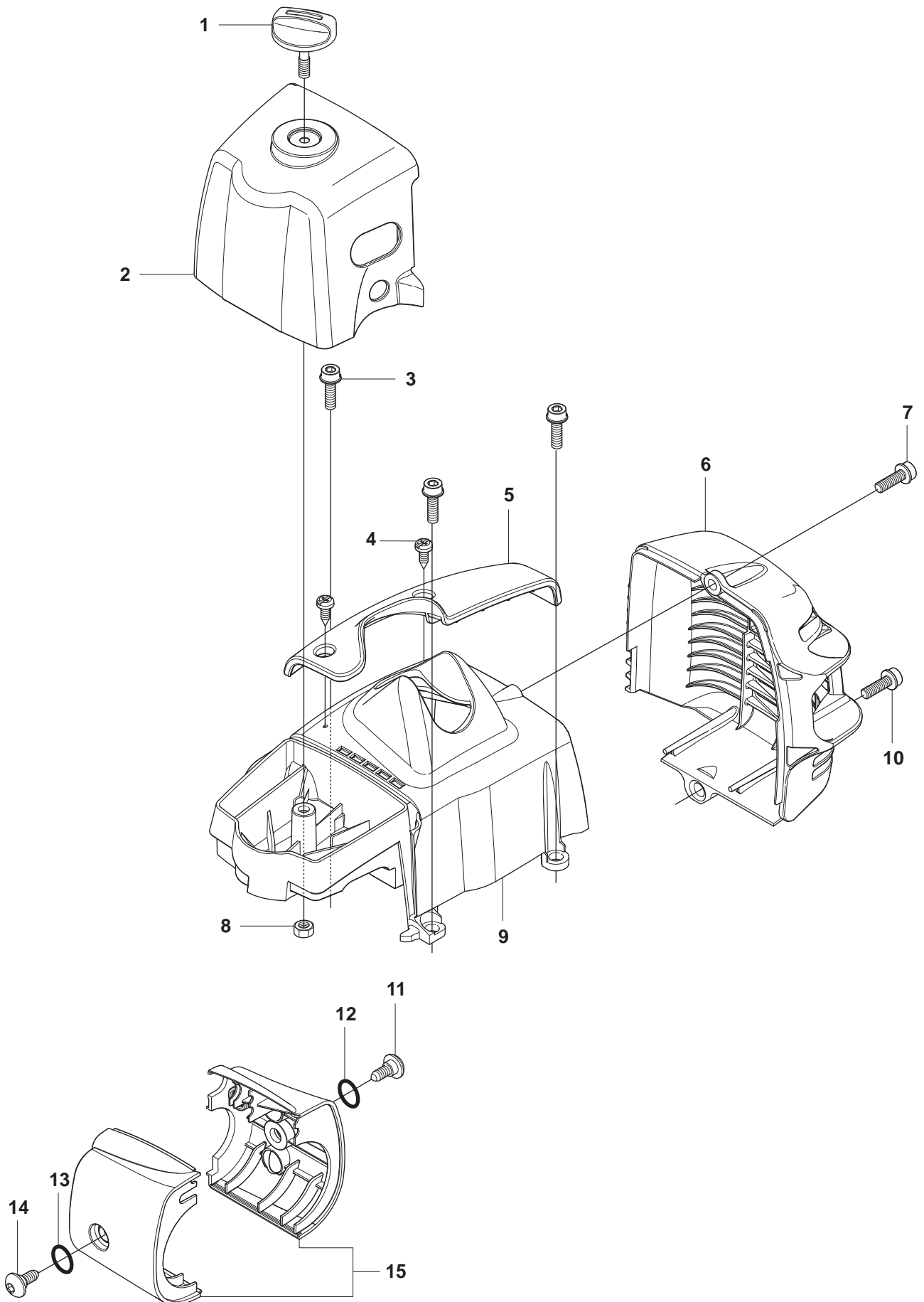
Position	Article	Quantity	Notes	Kit
1	537 42 45-13	1		
2	502 65 41-01	1		
3	503 22 10-13	1		1
4	537 16 02-02	1		1
4	537 16 02-03	1	323 Rll	1
5	537 41 90-01	1		1
6	506 49 77-01			9
7	537 17 42-01	1		1
8	537 16 07-01	1		1
9	506 49 77-01	1		1,6
10	537 17 43-01	1		1
11	537 16 03-02	1	27RX	1
11	537 16 03-01	1	323 Rll	1
12	503 21 66-18	2		1
13	503 20 07-35	1		1
14	503 72 43-09	1		
15	731 23 14-01	1		14
16	537 17 28-01	1		14
17	503 20 02-45	1		14
18	537 17 29-01	1		14
19	537 36 00-01	1	Low (327Rx, 327RDx	14
19	502 19 95-03	1	High (323 Rll)	14
20	544 02 09-01	1		14
21	502 21 12-01	1		14
22	503 21 66-18	1		2
23	502 53 16-02	1		2
24	537 17 39-01	1		2

**G** 327LS, Lx, LDx, RJx  
**THROTTLE CONTROLS**



Position	Article	Quantity	Notes	Kit
1	544 14 36-04	1		
2	537 41 90-01	1		1
3	503 21 66-18	5		1
4	544 10 02-02	1		1
5	503 87 80-01	1		1
6	503 91 81-01	1		1
7	503 96 14-01	1		1
8	544 10 03-02	1		1
9	544 10 08-01	1		1
10	503 87 79-03	1		1
11	544 10 17-02	1		1
12	731 23 14-01	1		1
13	544 11 21-01	1		1
14	503 20 03-20	1		1
15	544 10 17-02	1		1
16	502 65 13-01	1		1
17	502 53 16-01	1		1,16
18	544 17 17-03	1		1,16

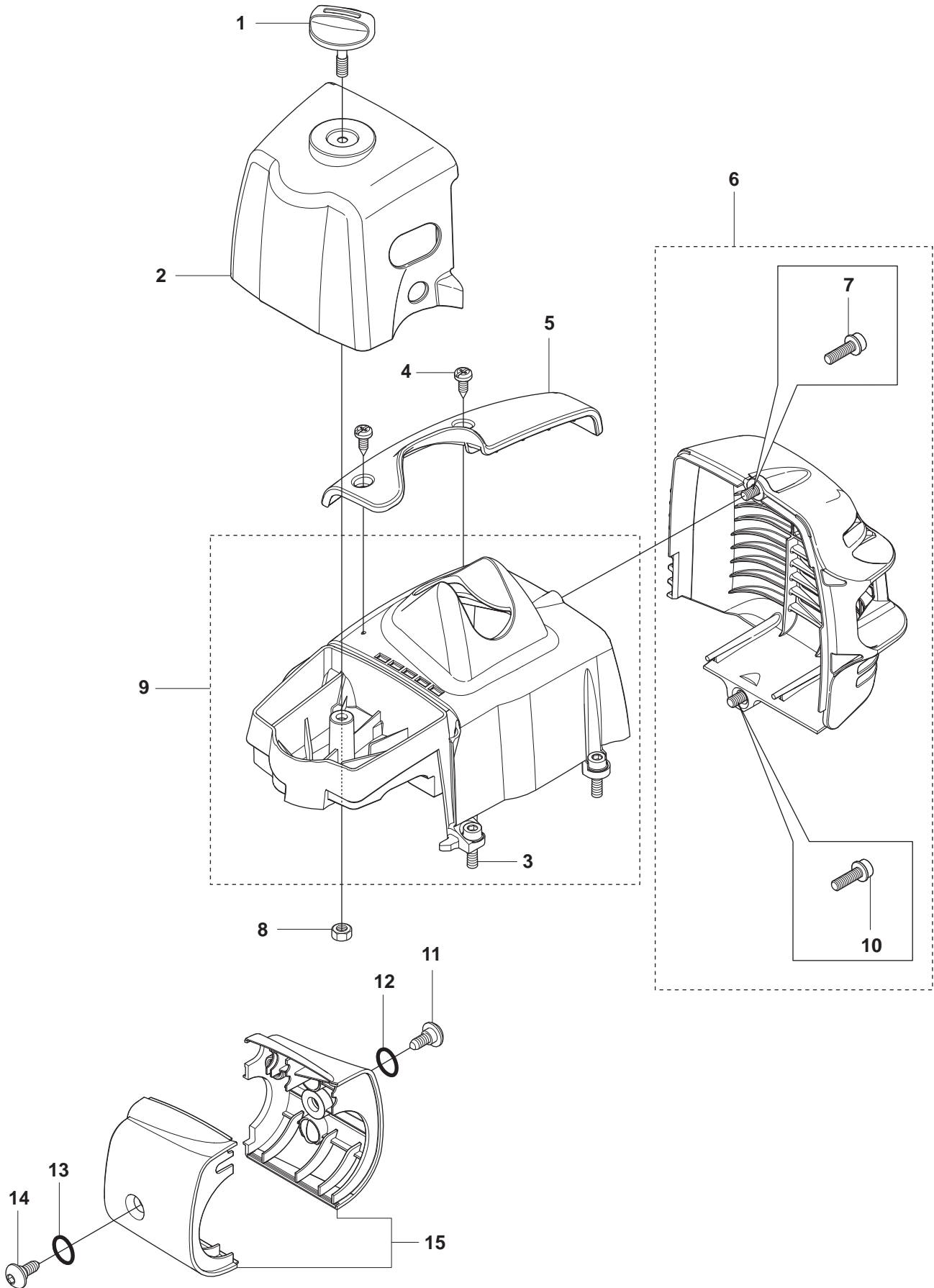
# H1 327Lx, LDx, Rx, RDx, RJx, COVERS



Position	Article	Quantity	Notes	Kit
1	537 21 32-10	1		
2	502 48 13-01	1		
3	503 20 03-16	4	M5x16	
4	503 21 35-12	2		
5	502 48 16-01	1		
6	544 84 81-01	1		
7	503 21 68-20	1		
8	503 22 24-01	1		
9	502 48 14-01	1		
10	503 20 03-16	1		
11	503 96 13-01	1		
12	740 42 06-00	1		
13	740 42 06-00	1		
14	503 96 13-01	1		
15	502 48 15-01	1		



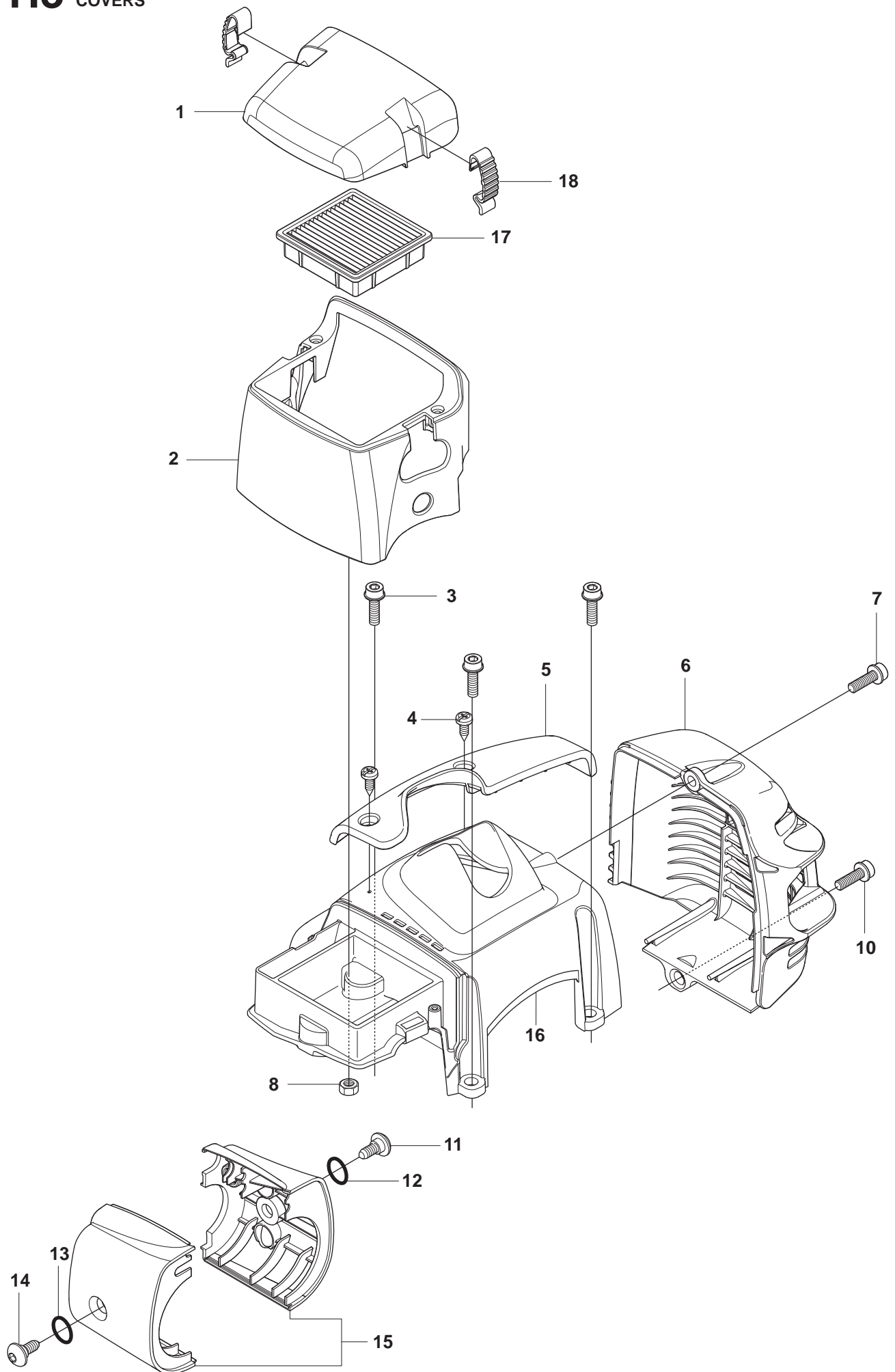
# H2 327Lx, LDx, Rx, RDx, RJx, COVERS



**Page H2 327Lx, LDx, Rx, RDx, RJx      COVERS**  
**323RII**

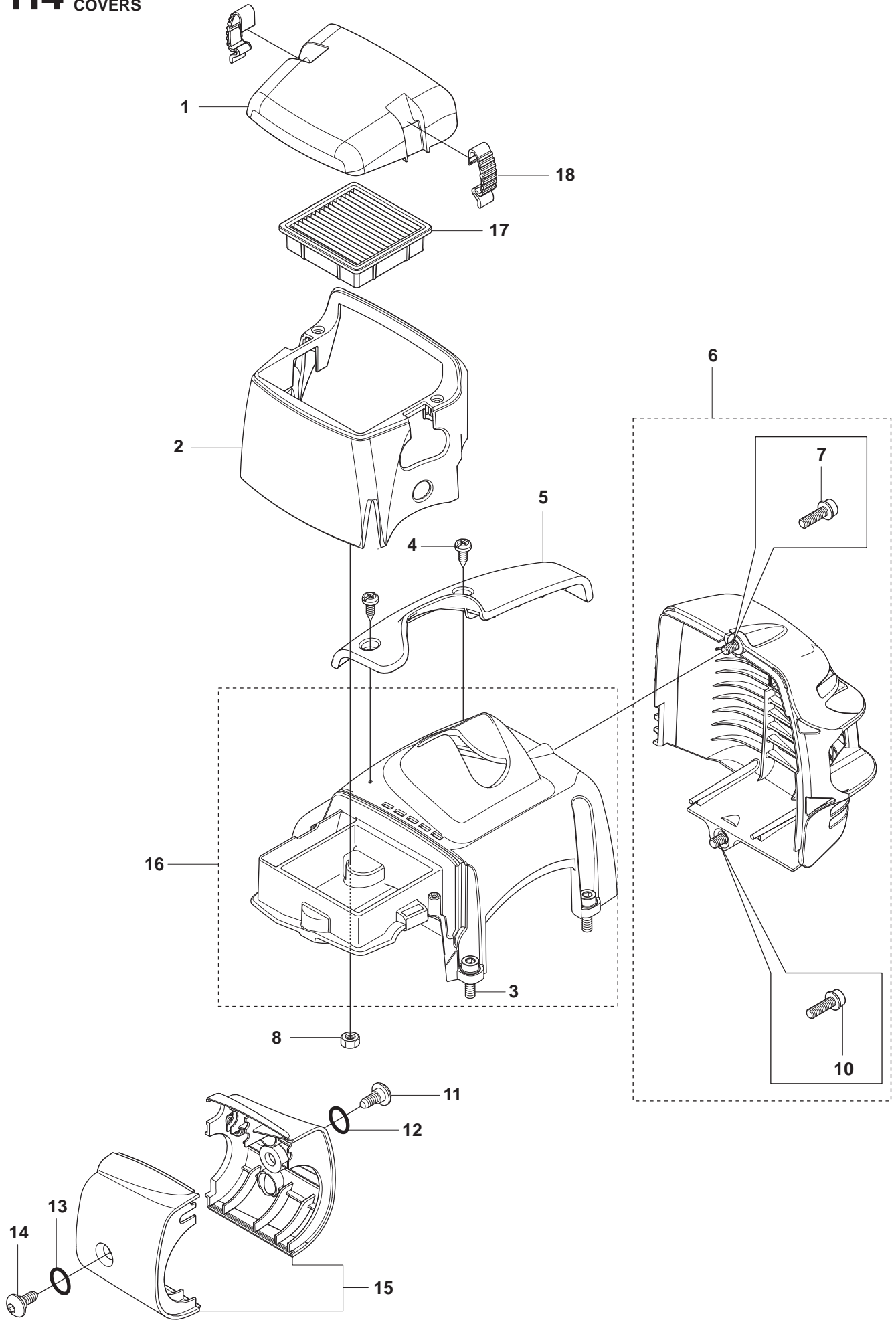
<b>Position</b>	<b>Article</b>	<b>Quantity</b>	<b>Notes</b>	<b>Kit</b>
1	537 21 32-10	1		
2	502 48 13-01	1		
3	574 47 70-03	4	Captive screws	9
4	503 21 35-12	2		
5	502 48 16-01	1		
6	544 84 81-02	1	Captive screws	
7	574 18 15-01	1	Captive screws	6
8	503 22 24-01	1		
9	574 35 39-01	1	Captive screws	
10	574 47 70-03	1	Captive screws	6
11	503 96 13-01	1		
12	740 42 06-00	1		
13	740 42 06-00	1		
14	503 96 13-01	1		
15	502 48 15-01	1		

# H3 327LS COVERS



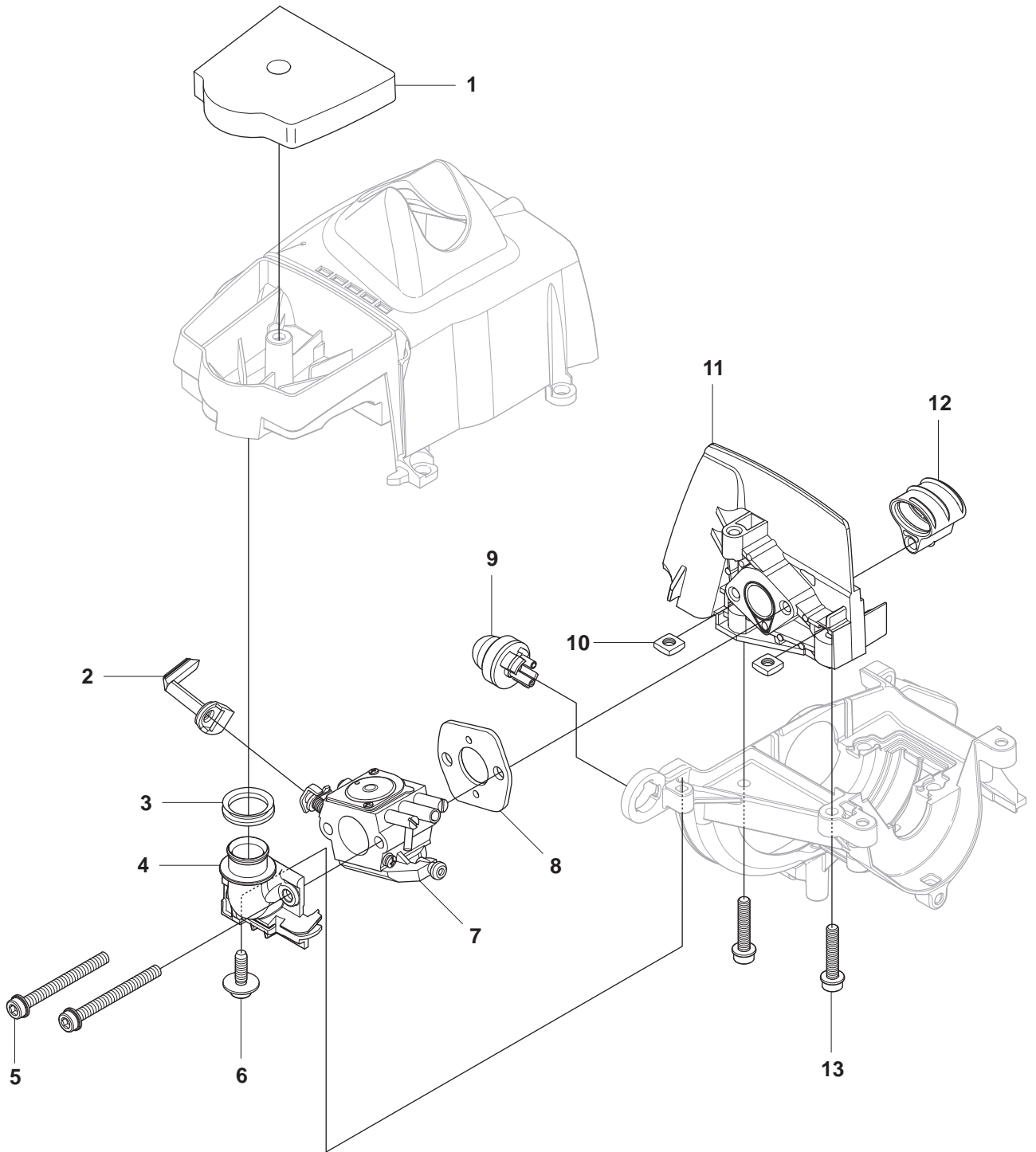
Position	Article	Quantity	Notes	Kit
1	505 14 20-01	1		
2	505 14 22-01	1		
3	503 20 03-16	4	M5x16	
4	503 21 35-12	2		
5	502 48 16-01	1		
6	544 84 81-01	1		
7	503 21 68-20	1		
8	503 22 24-01	1		
10	503 20 03-16	1		
11	503 96 13-01	1		
12	740 42 06-00	1		
13	740 42 06-00	1		
14	503 96 13-01	1		
15	502 48 15-01	1		
16	505 14 18-02	1		
17	505 27 10-01	1		
18	537 38 72-01	2		

# H4 327LS COVERS



Position	Article	Quantity	Notes	Kit
1	505 14 20-01	1		
2	505 14 22-01	1		
3	574 47 70-03	4	Captive screws	16
4	503 21 35-12	2		
5	502 48 16-01	1		
6	544 84 81-02	1	Captive screws	
7	574 18 15-01	1	Captive screws	6
8	503 22 24-01	1		
10	574 47 70-03	1	Captive screws	6
11	503 96 13-01	1		
12	740 42 06-00	1		
13	740 42 06-00	1		
14	503 96 13-01	1		
15	502 48 15-01	1		
16	505 14 18-02	1	Captive screws	
17	505 27 10-01	1		
18	537 38 72-01	2		

**J** 327LX, LDX, RX, RDX, RJX, LX, 323R11  
CARBURETOR & AIR FILTER

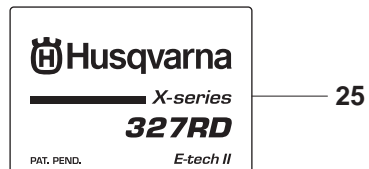
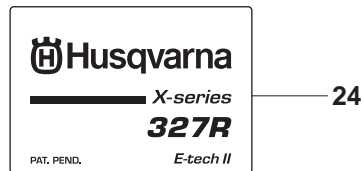
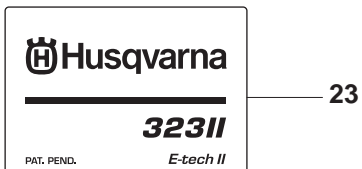
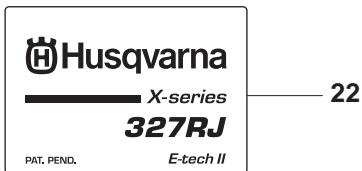
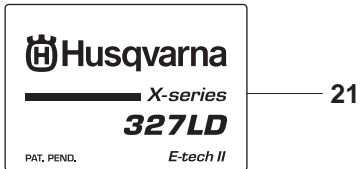
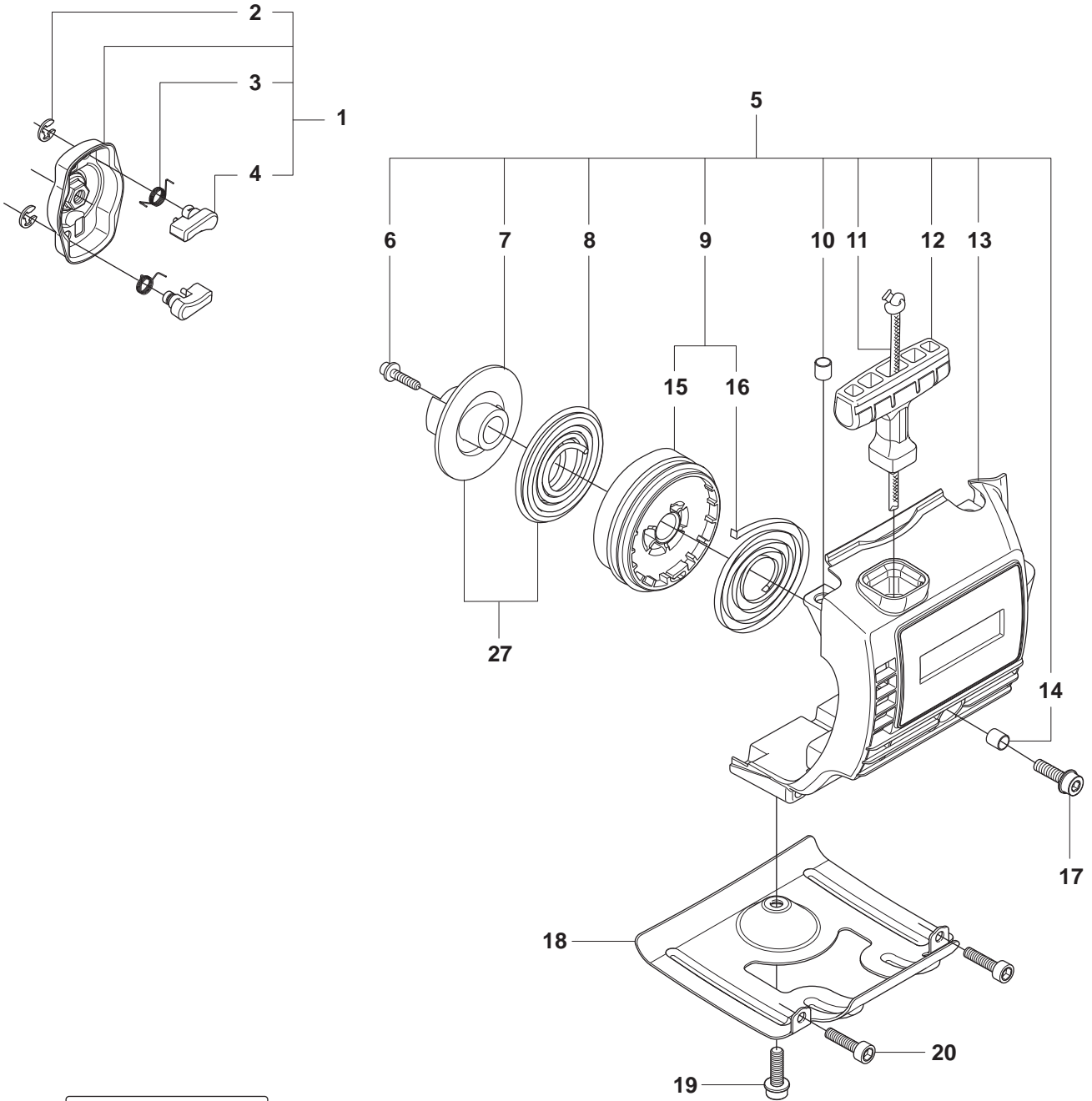


**Page J    327Lx, LDx, Rx, RDx, RJx    CARBURETOR & AIRFILTER**  
**Ls, 323Rll**

<b>Position</b>	<b>Article</b>	<b>Quantity</b>	<b>Notes</b>	<b>Kit</b>
1	537 14 31-01	1		
2	503 96 25-01	1		
3	740 68 11-21	1		
4	502 49 90-01	1		
5	503 21 75-50	2		
6	503 21 77-16	1		
7	503 28 34-01	1	Zama C1Q-EL24 (Not for US)	
7	576 01 98-01	1	Hualong HQ-2 (Only option US)	
8	503 49 71-01	1		
9	503 93 66-01	1		
10	503 22 65-04	2		
11	503 91 09-01	1		
12	503 94 26-01	1		
13	503 20 03-25	2		
14	505 27 10-01	1		

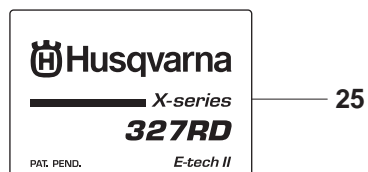
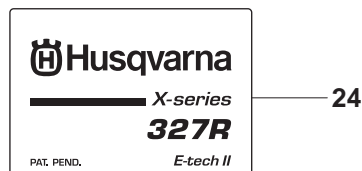
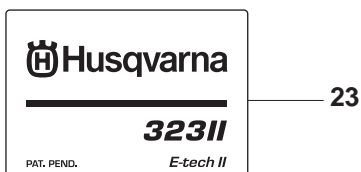
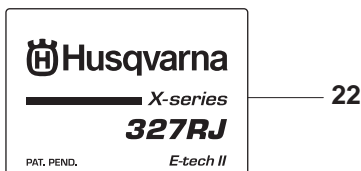
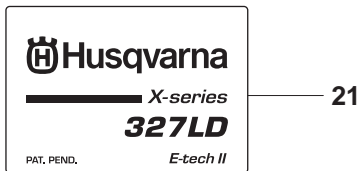
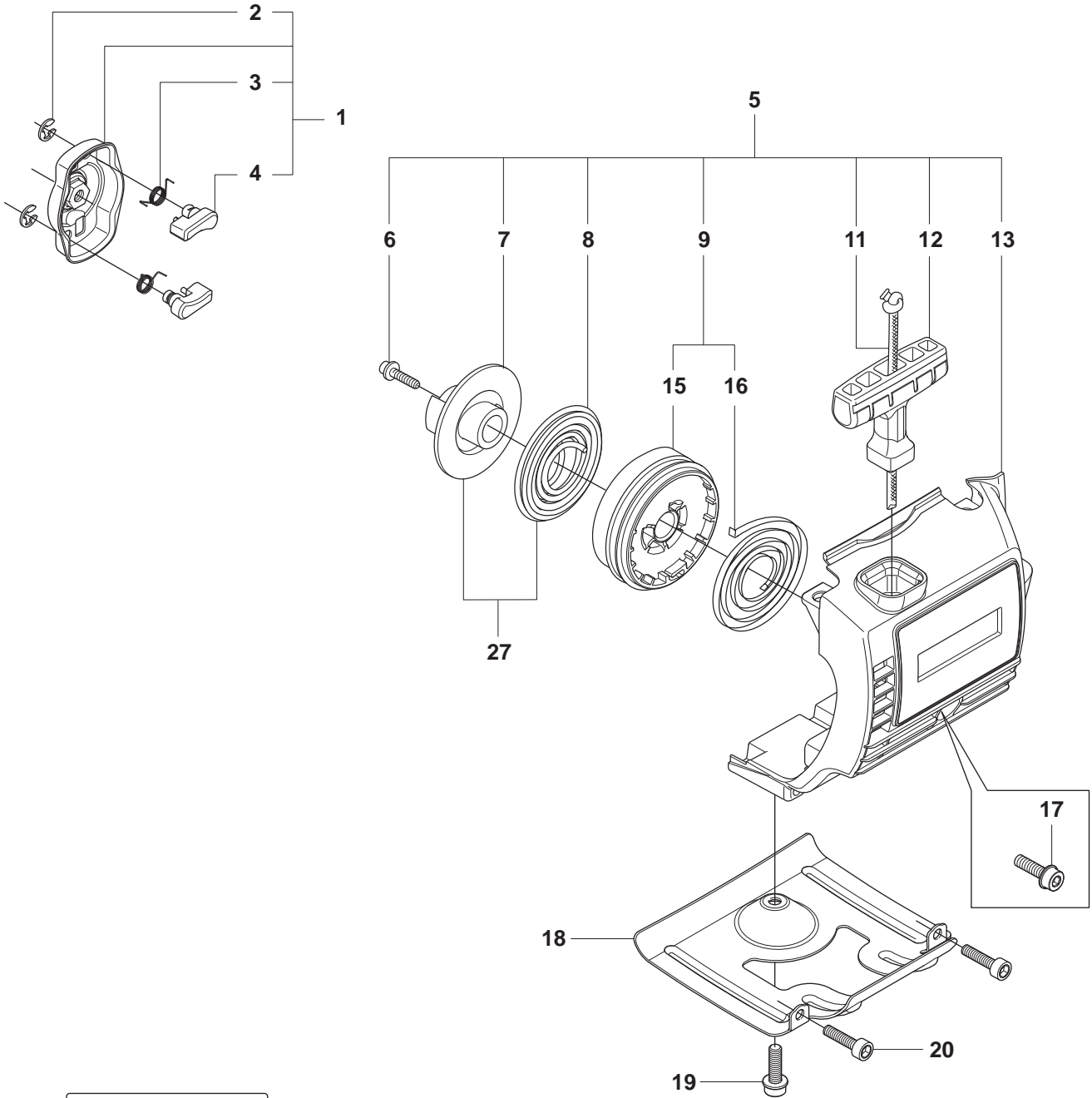


# K1 327LX, LDX, RX, RDX, RJX, 323RII STARTER



Position	Article	Quantity	Notes	Kit
1	503 87 33-05	1		
2	735 31 08-20	2		1
3	503 87 36-01	2		1
4	503 87 35-02	2		1
5	544 07 11-02	1		
6	503 21 77-25	1		5
7	544 03 87-02	1		5
8	544 03 88-02	1		5
9	544 16 65-01	1		5
10	537 37 93-02	2		5
11	503 85 89-01	1		5
12	537 00 84-01	1		5
13	537 41 16-01	1		5
14	537 37 93-02	1		5
15	544 03 86-01	1		5, 9
16	503 85 90-01	1		5, 9
17	503 20 03-16	1	M5x16	
18	537 03 41-01	1		
19	503 20 14-12	1	M5x12	
20	503 21 66-18	2		
21	537 35 34-56	1	327LDx	
22	537 35 34-57	1	327RJx	
23	537 35 34-58	1	323RII	
24	537 35 34-59	1	327Rx	
25	537 35 34-60	1	327RDx	

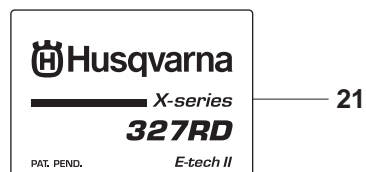
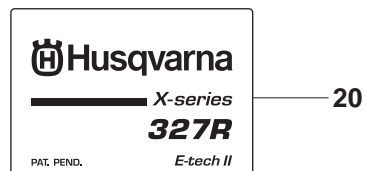
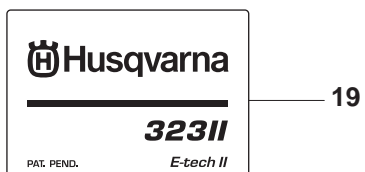
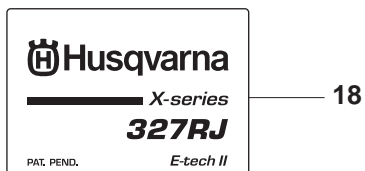
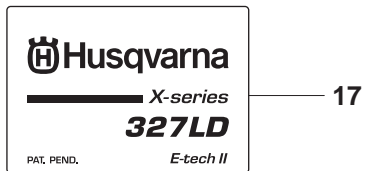
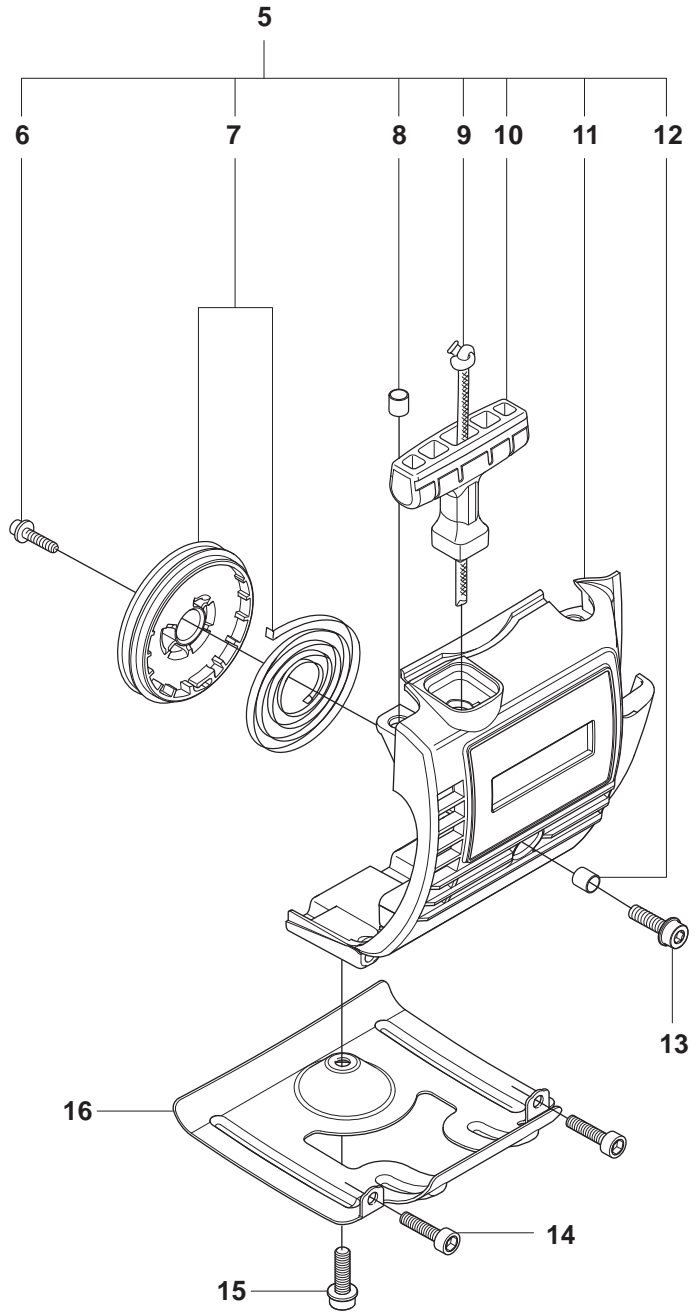
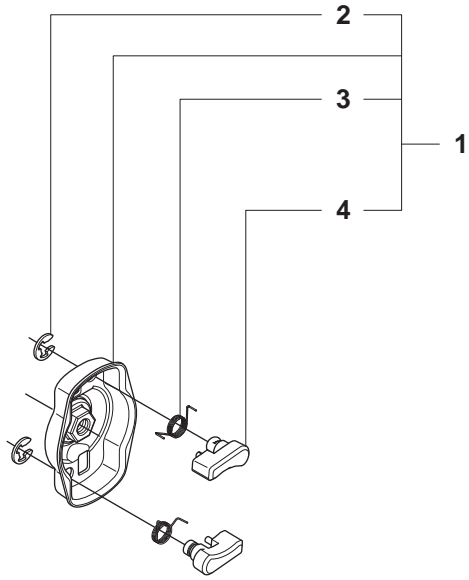
# K2 327LX, LDX, RX, RDX, RJX, 323RII STARTER



**Page K2 327LX, LDX, RX, RDX, RJX STARTER**  
**323RII**

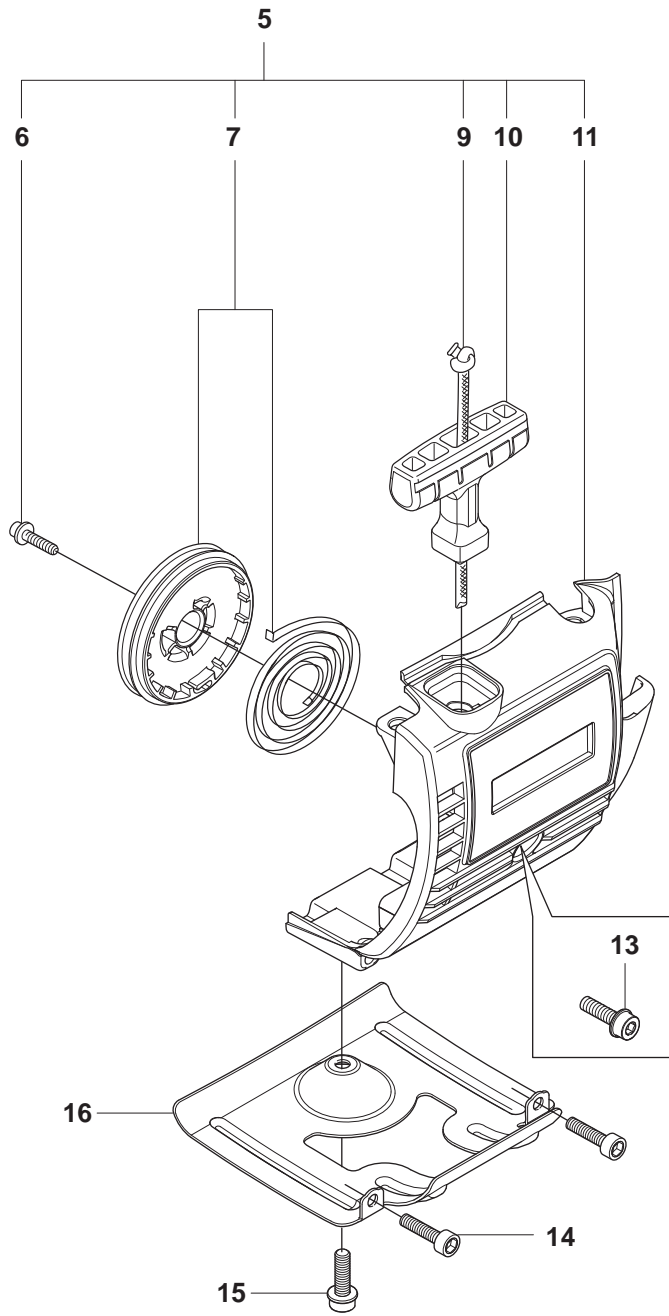
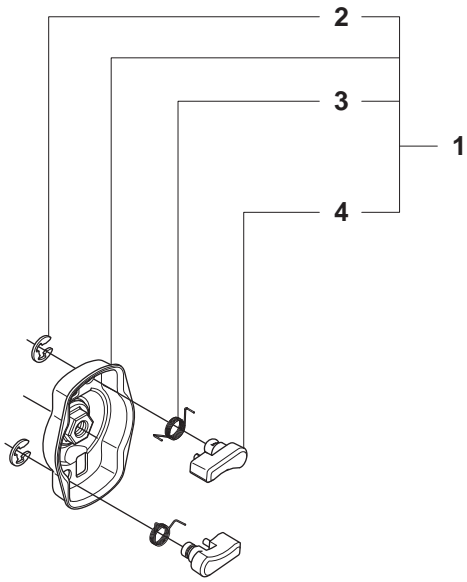
<b>Position</b>	<b>Article</b>	<b>Quantity</b>	<b>Notes</b>	<b>Kit</b>
1	503 87 33-05	1		
2	735 31 08-20	2		1
3	503 87 36-01	2		1
4	503 87 35-02	2		1
5	544 07 11-03	1	Captive screws	
6	503 21 77-25	1		5
7	544 03 87-02	1		5
8	544 03 88-02	1		5
9	544 16 65-01	1		5
11	503 85 89-01	1		5
12	537 00 84-01	1		5
13	537 41 16-02	1	Captive screws	5
14	537 37 93-02	1		5
15	544 03 86-01	1		5, 9
16	503 85 90-01	1		5, 9
17	574 47 70-03	1	Captive screw M5x16	5
18	537 03 41-01	1		
19	503 20 14-12	1	M5x12	
20	503 21 66-18	2		
21	537 35 34-56	1	327LDx	
22	537 35 34-57	1	327RJx	
23	537 35 34-58	1	323RII	
24	537 35 34-59	1	327Rx	
25	537 35 34-60	1	327RDx	

# K3 327LX, LDX, RX, RDX, RJX, 323RII STARTER



Position	Article	Quantity	Notes	Kit
1	503 87 33-05	1		
2	735 31 08-20	2		1
3	503 87 36-01	1		1
4	503 87 35-02	2		1
5	503 85 28-06	1		
6	503 21 77-16	1		5
7	503 96 49-01	1		5
8	537 37 93-02	2		5
9	503 85 89-01	1		5
10	537 00 84-01	1		5
11	503 85 87-02	1		5
12	537 37 93-02	1		5
13	503 20 03-16	1	M5x16	
14	503 21 66-18	2		
15	503 20 14-12	1	M5x12	
16	537 03 41-01	1		
17	537 35 34-56	1	327LDx	
18	537 35 34-57	1	327RJx	
19	537 35 34-58	1	323RII	
20	537 35 34-59	1	327Rx	
21	537 35 34-60	1	327RDx	

# K4 327LX, LDX, RX, RDX, RJX, 323RII STARTER



17



18



19



20

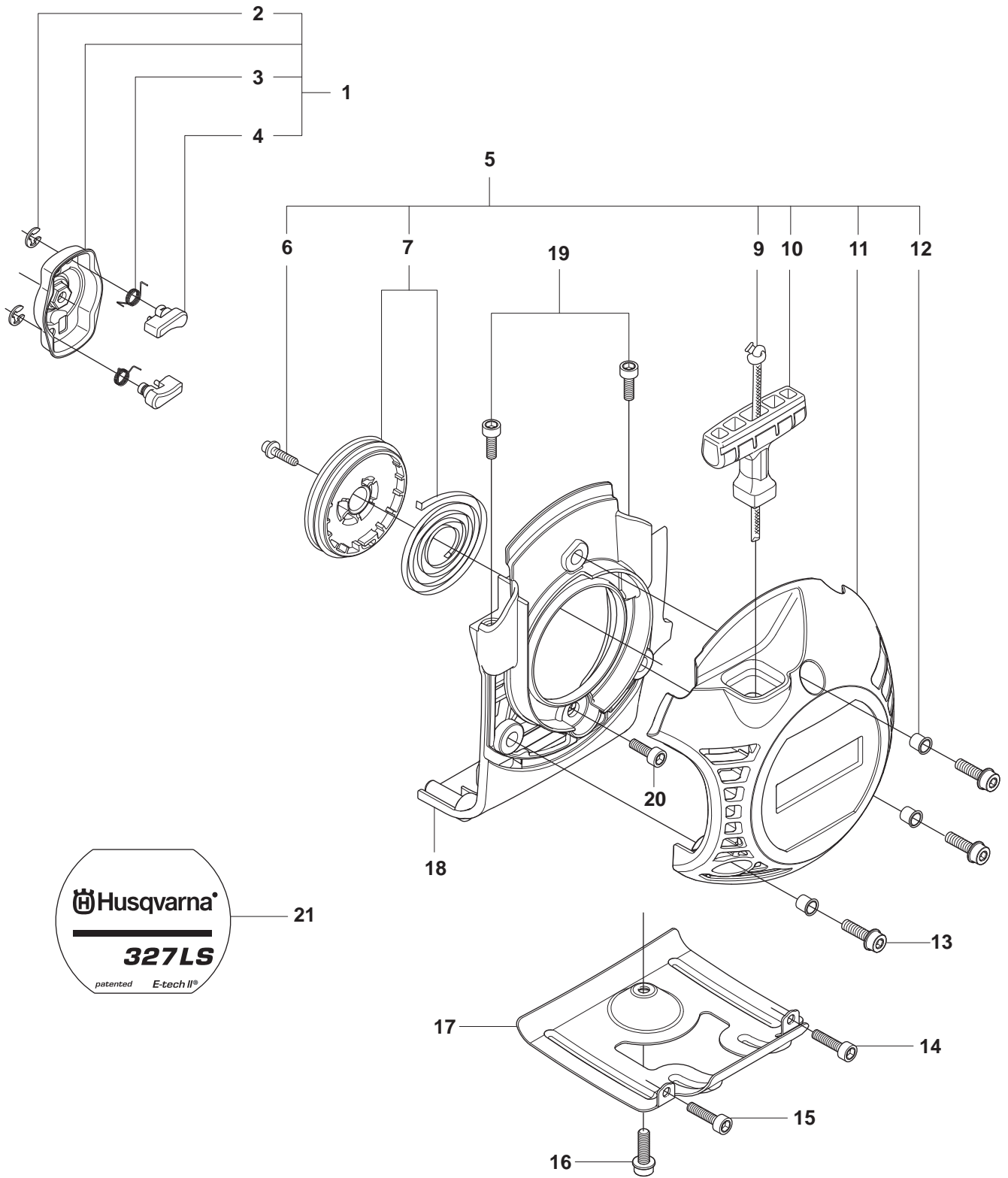


21

Position	Article	Quantity	Notes	Kit
1	503 87 33-05	1		
2	735 31 08-20	2		1
3	503 87 36-01	1		1
4	503 87 35-02	2		1
5	503 85 28-07	1	Captive screws	
6	503 21 77-16	1		5
7	503 96 49-01	1		5
9	503 85 89-01	1		5
10	537 00 84-01	1		5
11	503 85 87-03	1	Captive screws	5
13	574 47 70-03	1	Captive screws M5x16	5
14	503 21 66-18	2		
15	503 20 14-12	1	M5x12	
16	537 03 41-01	1		
17	537 35 34-56	1	327LDx	
18	537 35 34-57	1	327RJx	
19	537 35 34-58	1	323RII	
20	537 35 34-59	1	327Rx	
21	537 35 34-60	1	327RDx	

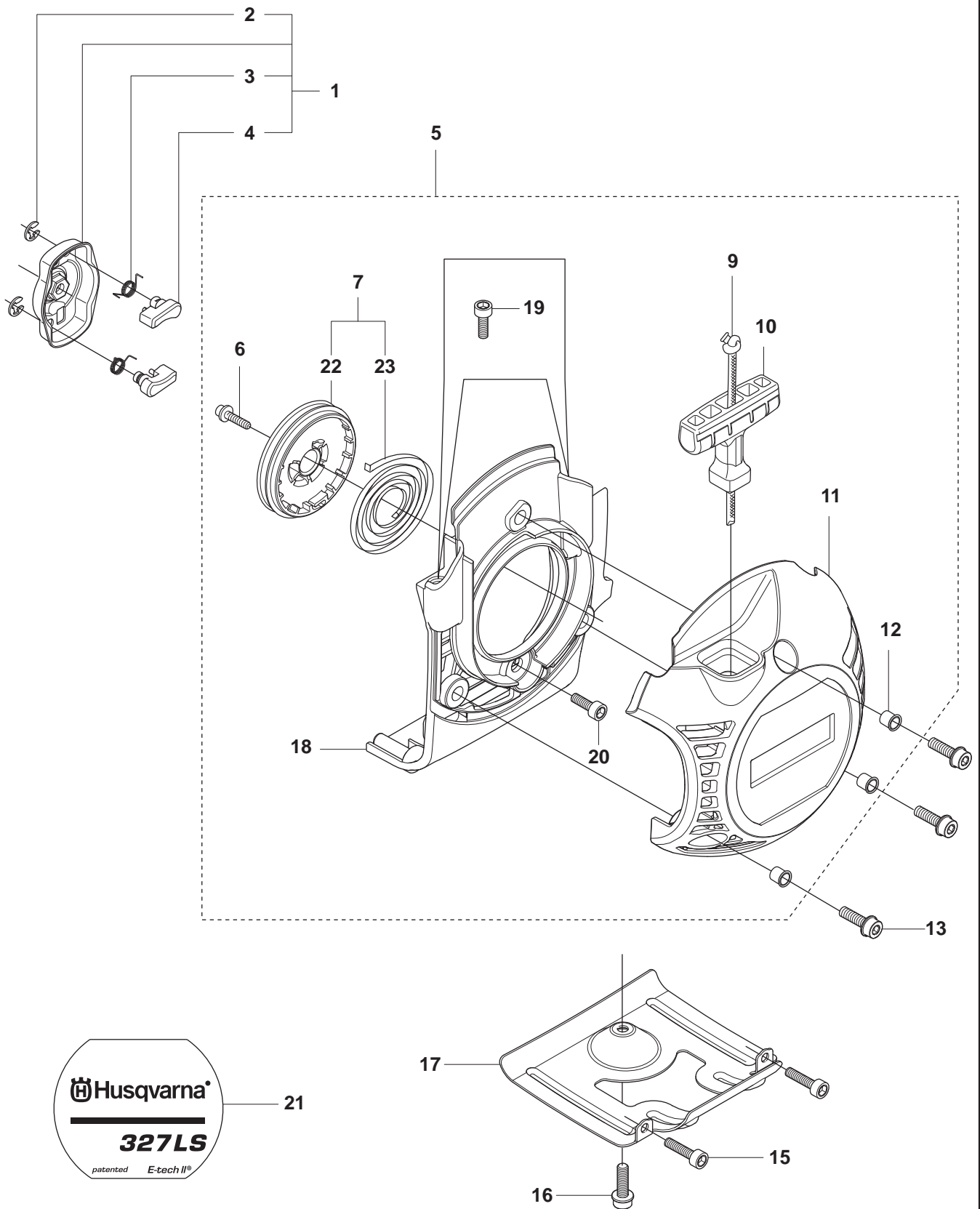


# K5 327LS STARTER



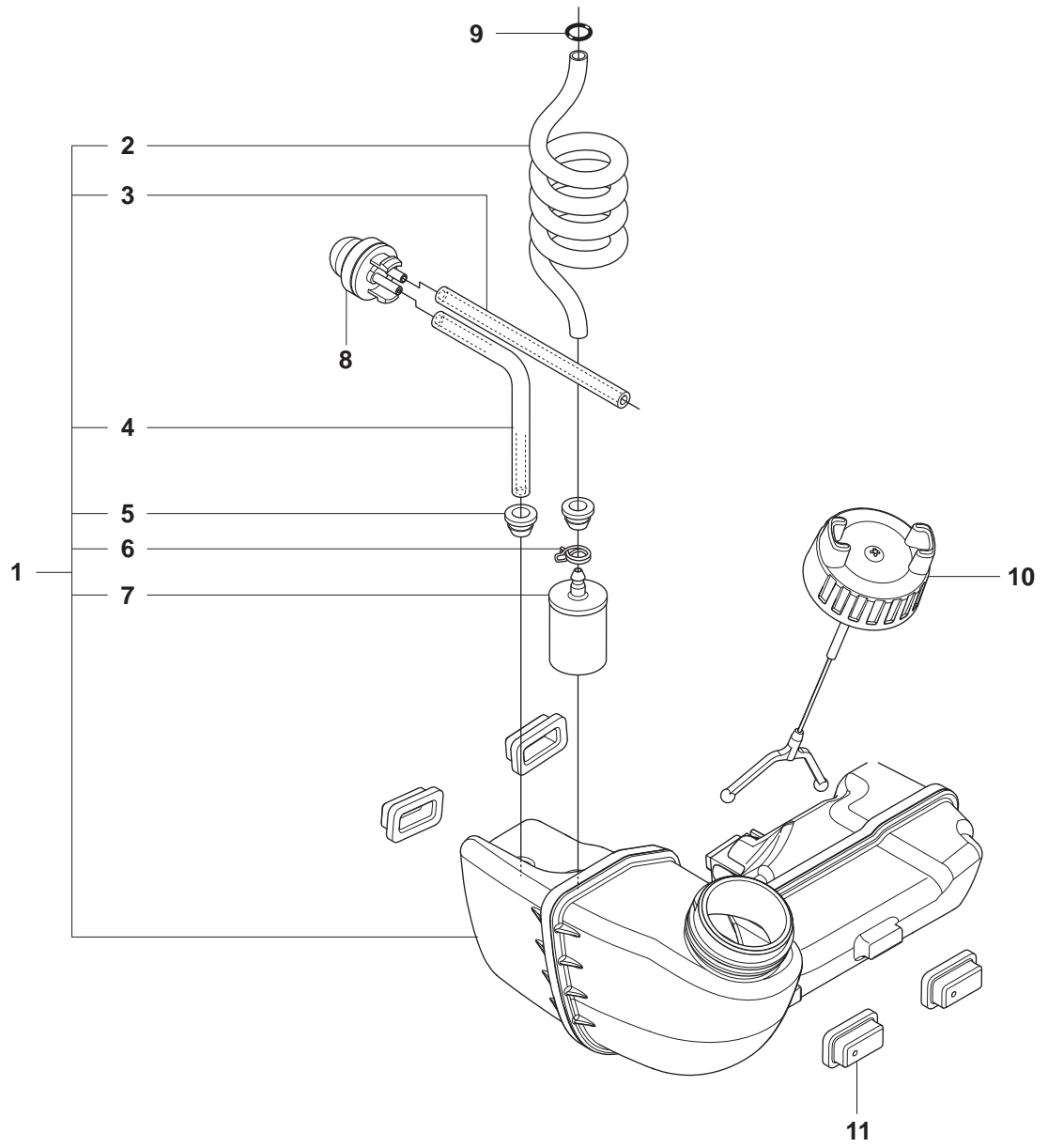
Position	Article	Quantity	Notes	Kit
1	503 87 33-05	1		
2	735 31 08-20	2		1
3	503 87 36-01	1		1
4	503 87 35-02	2		1
5	505 19 83-01	1		
6	503 21 77-16	1		5
7	503 96 49-01	1		5
8	537 37 93-02	2		5
9	505 30 51-25	1		5
10	537 00 84-01	1		5
11	505 14 13-01	1		5
12	537 37 93-02	3		5
13	503 20 03-16	3	M5x16	
14	503 21 66-18	1		
15	503 21 66-18	1		
16	503 20 14-12	1	M5x12	
17	537 03 41-01	1		
18	505 14 16-01	1		
19	503 20 03-16	2		
20	503 21 53-16	1		
21	537 32 24-10	1		

# K6 327LS STARTER



Position	Article	Quantity	Notes	Kit
1	503 87 33-05	1		
2	735 31 08-20	2		1
3	503 87 36-01	1		1
4	503 87 35-02	2		1
5	505 19 83-01	1		
6	503 21 88-76	1		5
7	537 33 23-03	1		5
8	537 37 93-02	2		5
9	505 30 51-25	1		5
10	537 00 84-01	1		5
11	505 14 13-01	1		5
12	537 37 93-02	3		5
13	503 20 03-16	3	M5x16	
15	503 21 66-18	2		
16	503 20 14-12	1	M5x12	
17	537 03 41-01	1		
18	505 14 16-01	1		5
19	574 47 70-03	2	Captive screws	5
20	503 21 53-16	1		5
21	537 32 24-10	1		
22	525 29 53-01	1		5
23	503 85 99-01	1		5

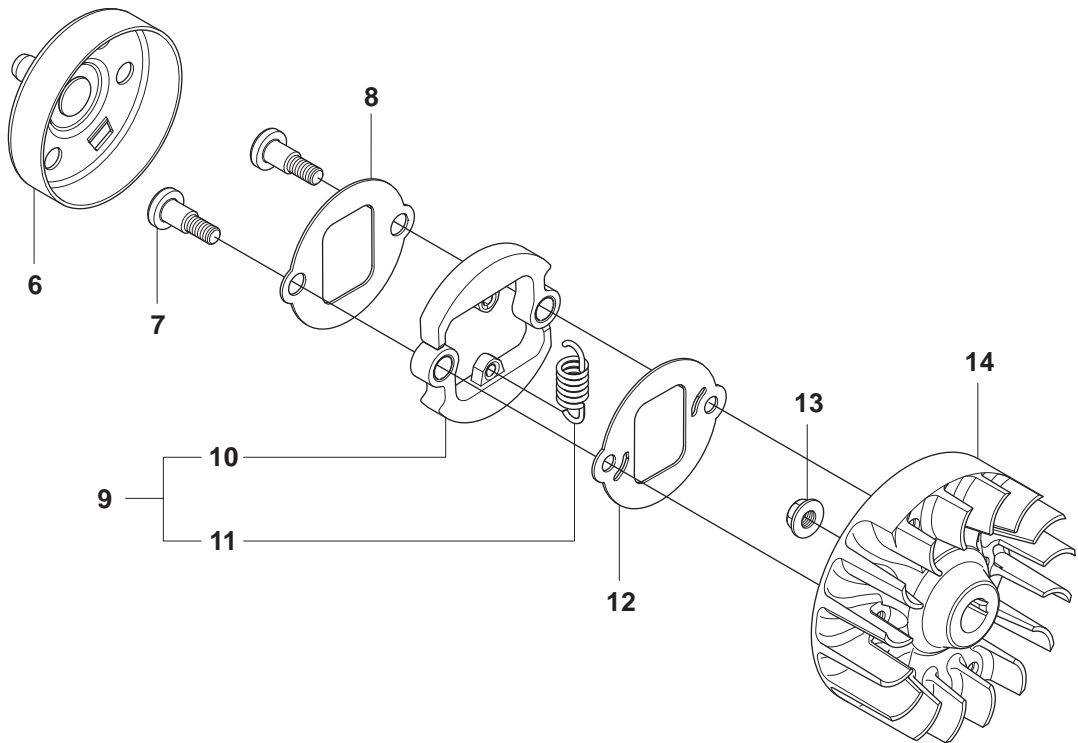
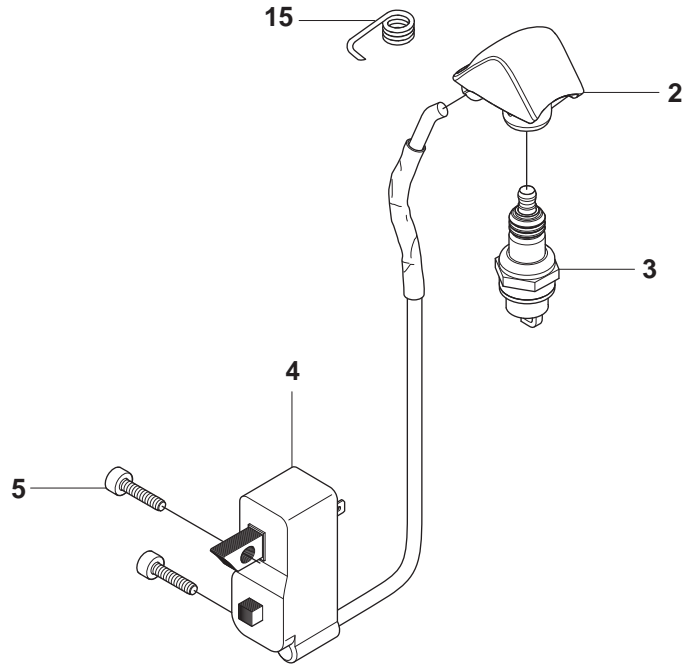
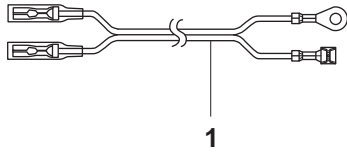
**L** 327LS, LX, LDX, RX, RDX, RJX, 323RII  
**FUEL TANK**



**Page L**    **327LS, LX, LDX, RX, RDX, RJX**    **FUEL TANK**  
**323R11**

<b>Position</b>	<b>Article</b>	<b>Quantity</b>	<b>Notes</b>	<b>Kit</b>
1	506 12 45-01	1		
2	544 32 50-01	1		1
3	537 04 24-01	1		1
4	537 04 24-01	1		1
5	503 73 58-01	2		1
6	504 02 24-01	1		1
7	503 44 32-01	1		1
8	503 93 66-01	1		
9	537 18 49-01	1		
10	544 88 97-02	1		
11	503 91 10-01	4		

**M** 327LS, LX, LDX, RX, RDX, RJX, 323RII  
IGNITION & CLUTCH

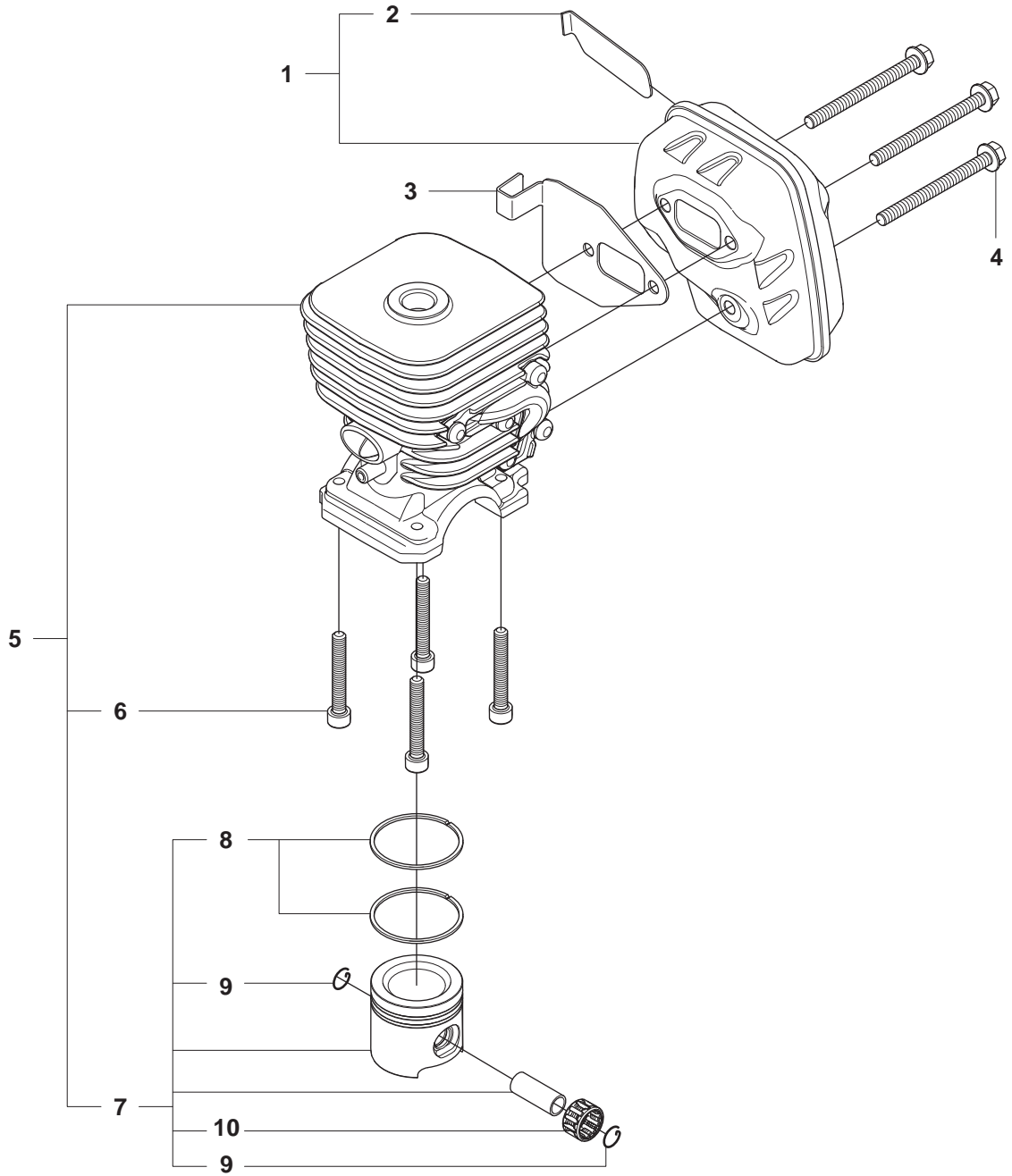


**Page M    327LS, LX, LDX, RX, RDX, RJX    IGNITION & CLUTCH**  
**323RII**

<b>Position</b>	<b>Article</b>	<b>Quantity</b>	<b>Notes</b>	<b>Kit</b>
1	502 49 36-01	1		
2	537 43 43-01	1		
3	503 23 51-09	1	Champion RCJ 6Y	
4	544 12 70-01	1		
5	503 21 66-18	2		
6	537 23 75-01	1		
7	503 84 29-02	2		
8	537 04 67-02	1		
9	537 03 22-01	1		
10	503 84 28-01	2		9
11	503 81 60-01	1		9
12	537 04 68-02	1		
13	731 71 16-51	1		
14	537 24 96-02	1		
15	501 48 56-01	1		



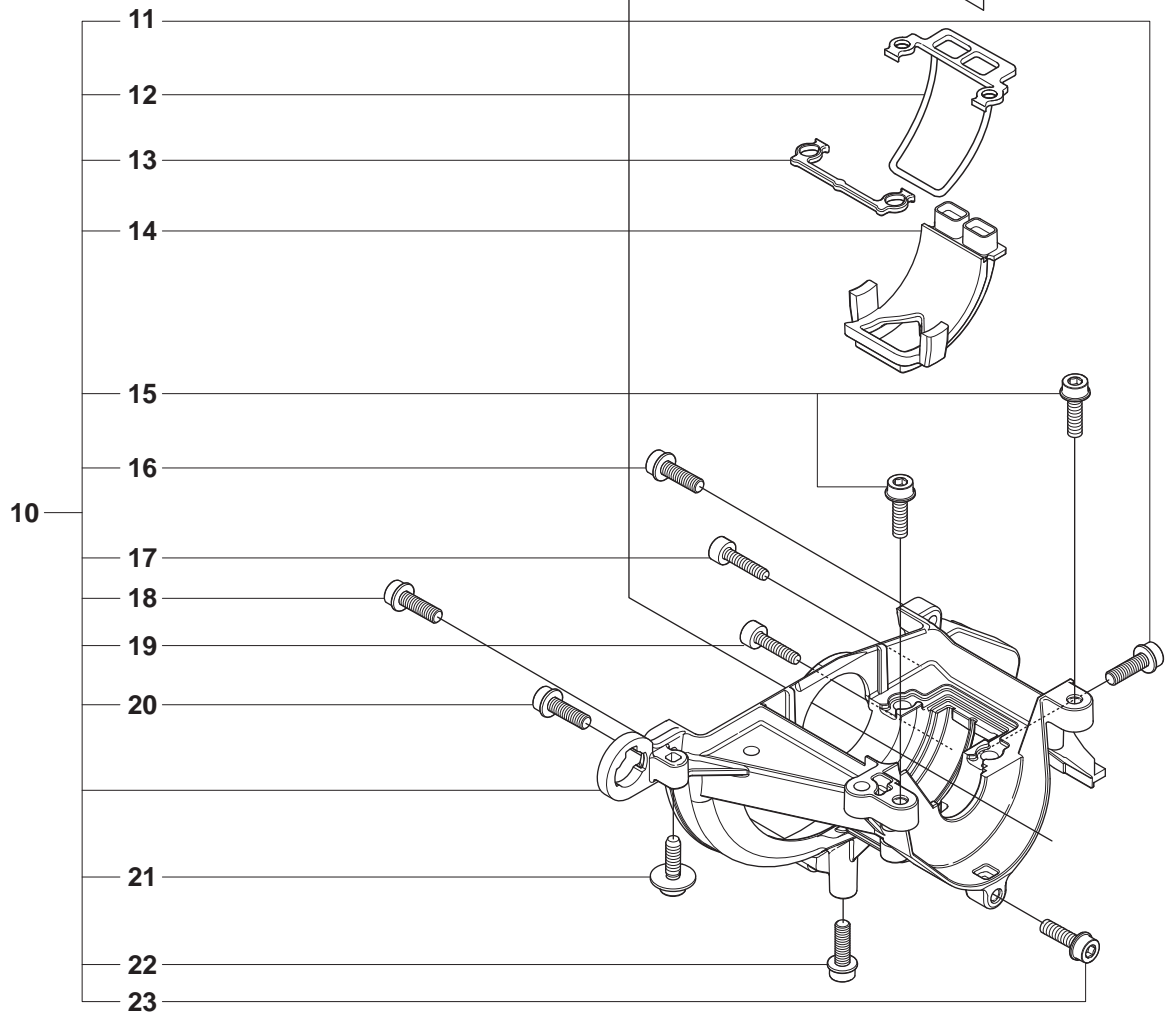
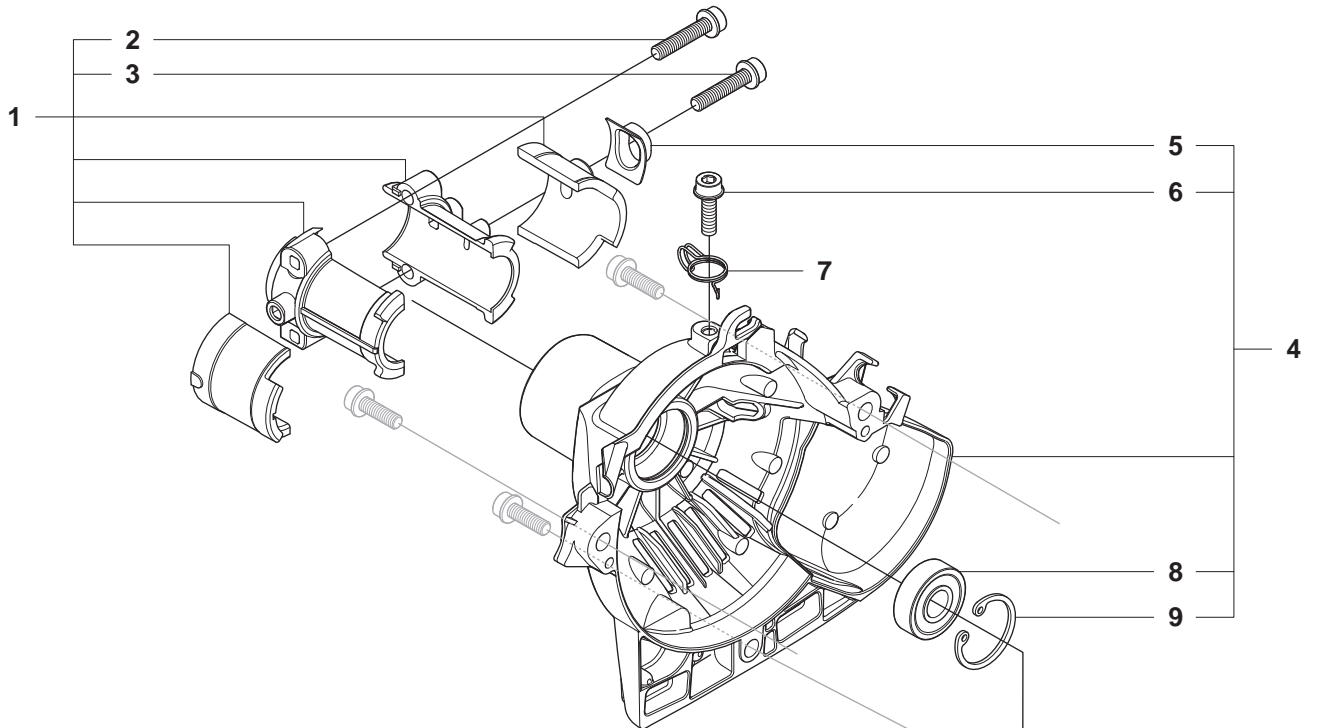
**N** 327LS, LX, LDX, RX, RDX, RJX, 323RII  
CYLINDER PISTON & MUFFLER



**Page N** 327LS, LX, LDX, RX, RDX, RJX **CYLINDER PISTON & MUFFLER**  
323RII

<b>Position</b>	<b>Article</b>	<b>Quantity</b>	<b>Notes</b>	<b>Kit</b>
1	537 22 17-04	1	Cat.	
2	537 22 18-01	1		1
3	537 01 41-01	1		
4	502 07 81-01	3		
5	537 08 51-03	1	Ø=34mm	
6	503 20 07-35	4		5
7	537 40 59-02	1		5
8	537 40 62-01	1		7
9	737 44 08-00	1		7
10	503 71 22-01	1		7

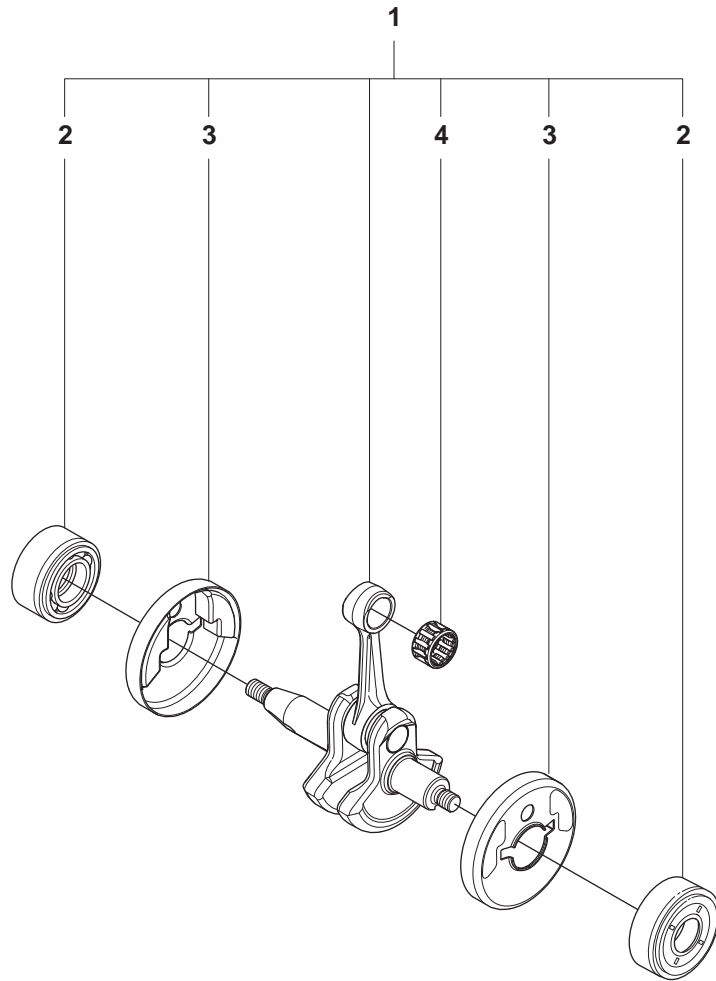
**P** 327LS, LX, LDX, RX, RDX, RJX, 323R11  
CRANK CASE



**Page P 327LS, LX, LDX, RX, RDX, RJX CRANK CASE**  
**323RII**

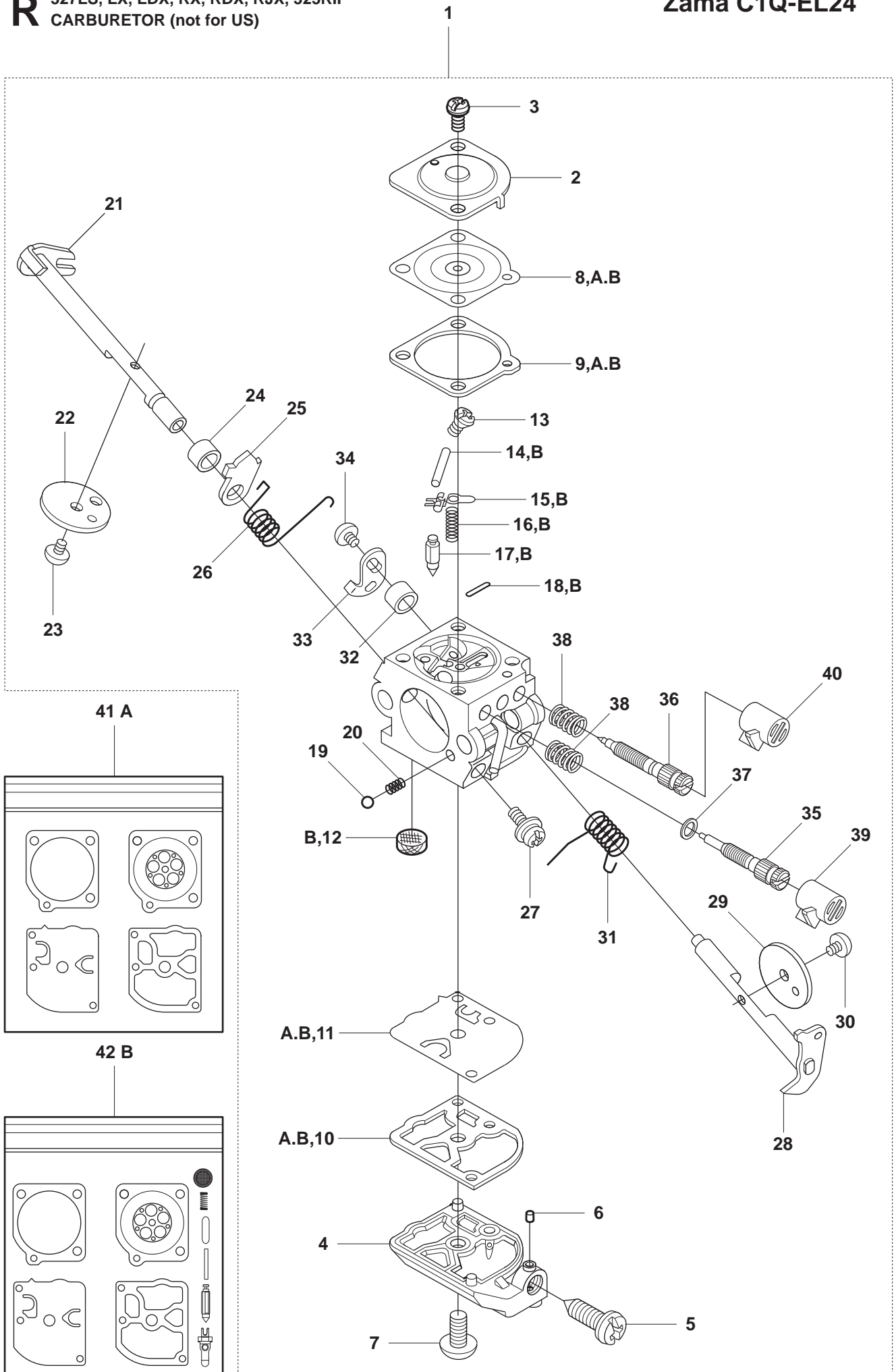
Position	Article	Quantity	Notes	Kit
1	537 30 96-01	1		
2	503 21 68-25	1		1
3	503 21 68-25	1		1
4	537 04 12-09	1		
5	537 42 50-01	1		4
6	503 20 03-16	1	M5x16	4
7	537 07 36-01	1		
8	503 25 05-01	1		4
9	537 33 67-01	1		4
10	537 08 52-02	1		
11	503 20 03-16	1		10
12	537 06 69-01	1		10
13	537 08 85-01	1		10
14	537 06 68-01	1		10
15	503 20 03-16	1		10
16	503 20 03-16	1		10
17	503 21 66-18	1		10
18	503 20 03-16	1		10
19	503 21 66-18	1		10
20	503 20 03-16	1		10
21	503 21 77-16	1		10
22	503 20 14-12	1	M5x12	10
23	503 20 03-16	1		10

**Q** 327LS, LX, LDX, RX, RDX, RJX, 323RII  
**CRANK SHAFT**



**Page Q**    **327LS, LX, LDX, RX, RDX, RJX**    **CRANK SHAFT**  
**323R11**

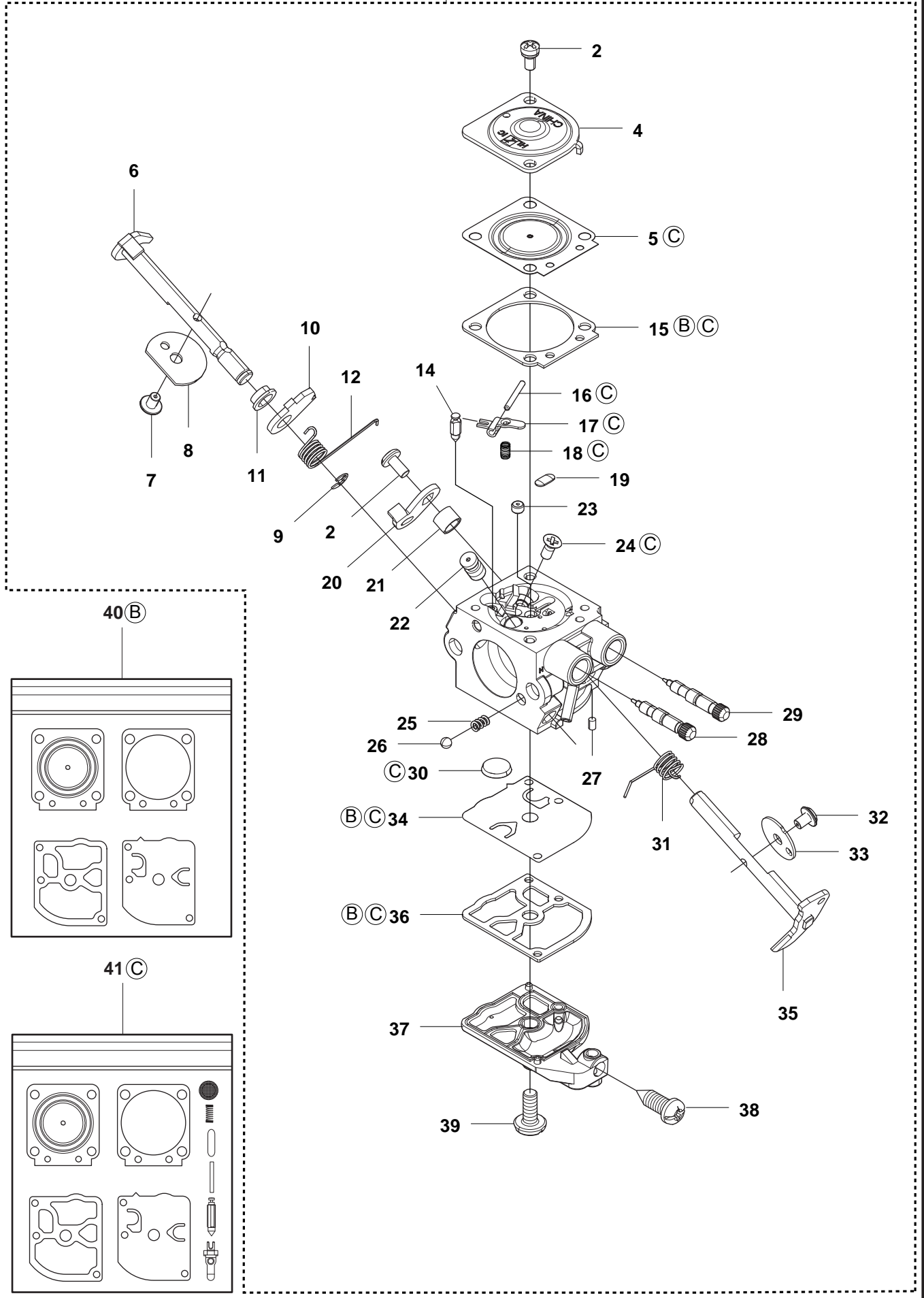
<b>Position</b>	<b>Article</b>	<b>Quantity</b>	<b>Notes</b>	<b>Kit</b>
1	503 85 24-74	1		
2	503 94 02-03	2		1
3	503 94 05-01	2		1
4	503 71 22-01	1		1



Position	Article	Quantity	Notes	Kit
1	503 28 34-01	1	Zama C1Q-EL24	
2	503 97 43-01	1		1
3	503 48 05-01	2		1
4	537 02 02-01	1		1
5	537 02 07-01	1		1
6	503 48 11-01	1		1
7	503 47 96-01	1		1
8	537 04 89-01	1		1,A,B
9	537 02 04-01	1		1,A,B
10	537 02 01-01	1		1,A,B
11	537 02 00-01	1		1,A,B
12	503 53 57-01	1		1,B
13	503 48 01-01	1		1
14	503 48 00-01	1		1,B
15	503 66 59-01	1		1,B
16	537 02 03-01	1		1,B
17	503 47 97-01	1		1,B
18	537 02 08-01	1		1,B
19	537 01 25-01	1		1
20	537 01 26-01	1		1
21	537 02 09-01	1		1
22	537 37 03-01	1		1
23	503 48 18-01	1		1
24	503 48 19-01	1		1
25	537 04 90-01	1		1
26	537 02 10-01	1		1
27	503 75 53-01	1		1
28	537 01 96-01	1		1
29	537 01 99-01	1		1
30	503 47 92-01	1		1
31	537 01 97-01	1		1
32	503 47 89-01	1		1
33	537 01 98-01	1		1
34	503 47 90-01	1		1
35	537 02 06-01	1		1
36	537 12 78-01	1		1
37	503 97 40-01	1		1
38	503 48 08-01	1		1
39	537 02 16-01	1		1
40	537 02 16-01	1		1
41,A	531 00 45-52	1		
42,B	531 00 45-53	1		

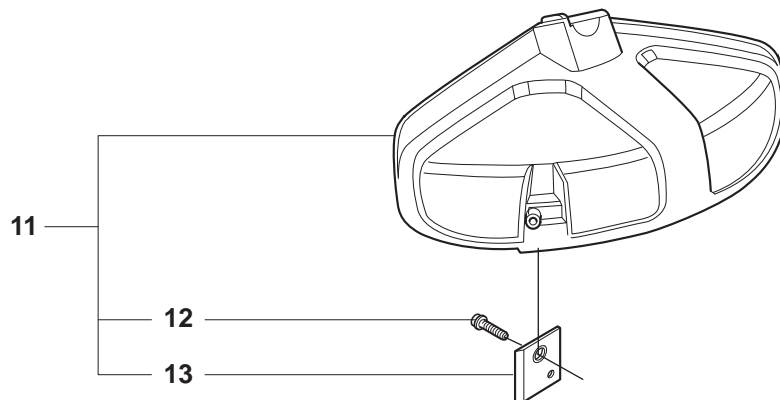
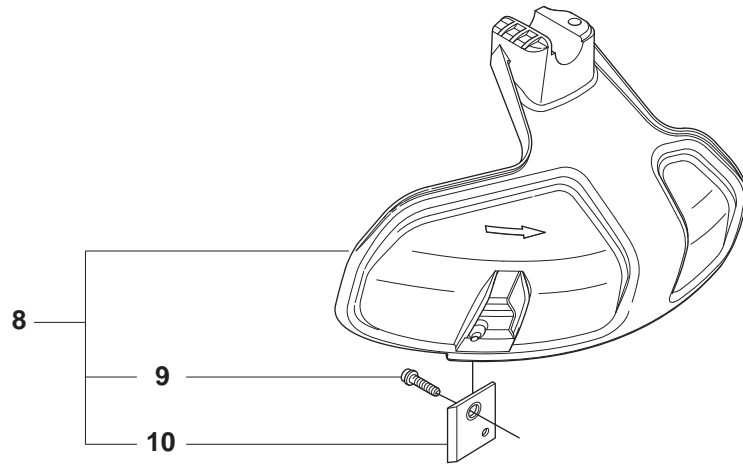
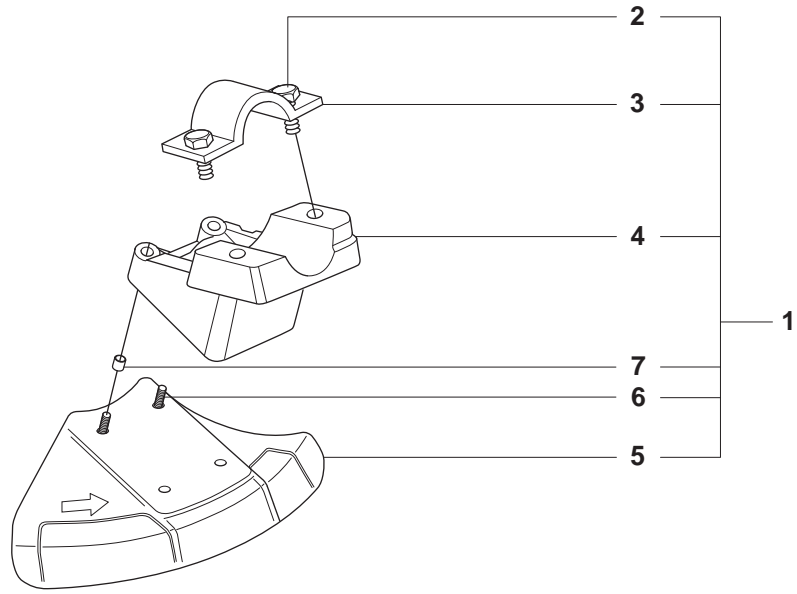


1



Hualong HQ-2		CARBURETOR (only option for US)		
Position	Article	Quantity	Notes	Kit
1	576 01 98-01	1	Hualong HQ-2	
2	576 02 42-01	2		1
4	576 02 36-01	1		1
5	576 02 24-01	1		1
6	576 02 30-01	1		1
7	576 02 41-01	1		1
8	576 02 32-01	1		1
9	576 02 48-01	1		1
10	576 02 31-01	1		1
11	576 02 35-01	1		1
12	576 02 33-01	1		1
14	576 02 01-01	1		1
15	576 02 37-01	1		1
16	576 02 03-01	1		1
17	576 02 04-01	1		1
18	576 02 05-01	1		1
19	576 02 06-01	1		1
20	576 02 28-01	1		1
21	576 02 29-01	1		1
22	576 02 07-01	1		1
23	576 02 08-01	1		1
24	576 02 43-01	1		1
25	576 02 34-01	1		1
26	576 02 47-01	1		1
27	576 02 23-01	1		1
28	576 02 10-01	1		1
29	576 02 11-01	1		1
30	576 02 15-01	1		1
31	576 02 27-01	1		1
32	576 02 40-01	1		1
33	576 02 26-01	1		1
34	576 02 39-01	1		1
35	576 02 25-01	1		1
36	576 02 38-01	1		1
37	576 02 20-01	1		1
38	576 02 22-01	1		1
39	576 02 44-01	1		1
40	581 74 35-01	1		
41	581 74 37-01	1		

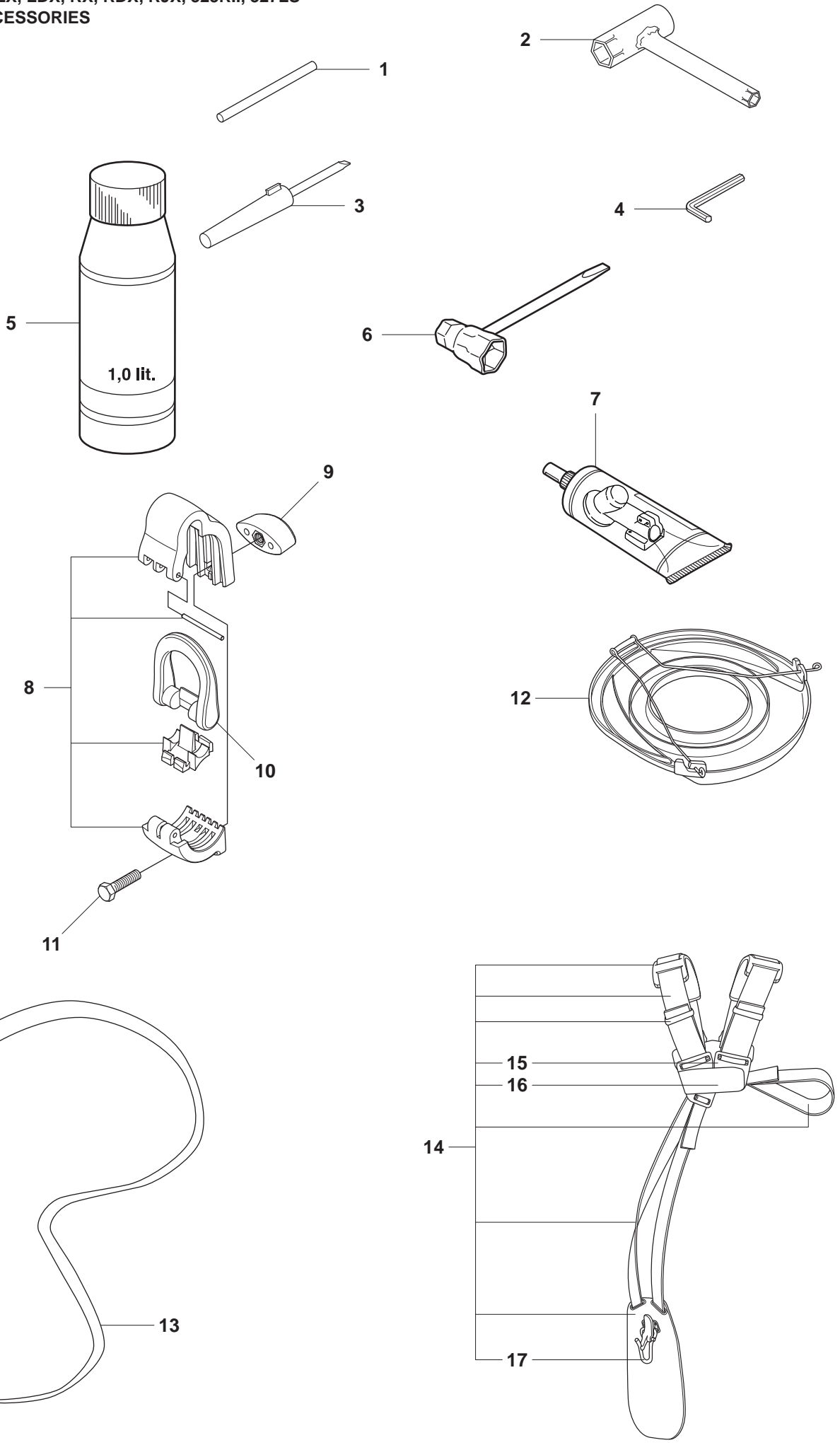
**S** 327LS, LX, LDX, RX, RDX, RJX, 323RII  
ACCESSORIES



**Page S    327LS, LX, LDX, RX, RDX, RJX    ACCESSORIES**  
**323RII**

<b>Position</b>	<b>Article</b>	<b>Quantity</b>	<b>Notes</b>	<b>Kit</b>
1	544 04 42-10	1	Captive screws 323RII, 327Rx	
2	573 99 43-04	2	Captive screws	1
3	574 56 80-01	1	Captive screws	1
4	537 29 34-01	1		1
5	574 56 49-02	1	Captive screws	1
6	503 20 03-16	4	Captive screws	1
7	574 03 95-01	4	Captive screws	1
8	503 97 71-01	1	327Lx, 327LDx	
9	503 21 07-16	1		8
10	503 79 88-01	1		8
11	503 93 42-02	1	323RII, 327Rx	
12	503 21 07-16	1		11
13	503 79 88-01	1		11

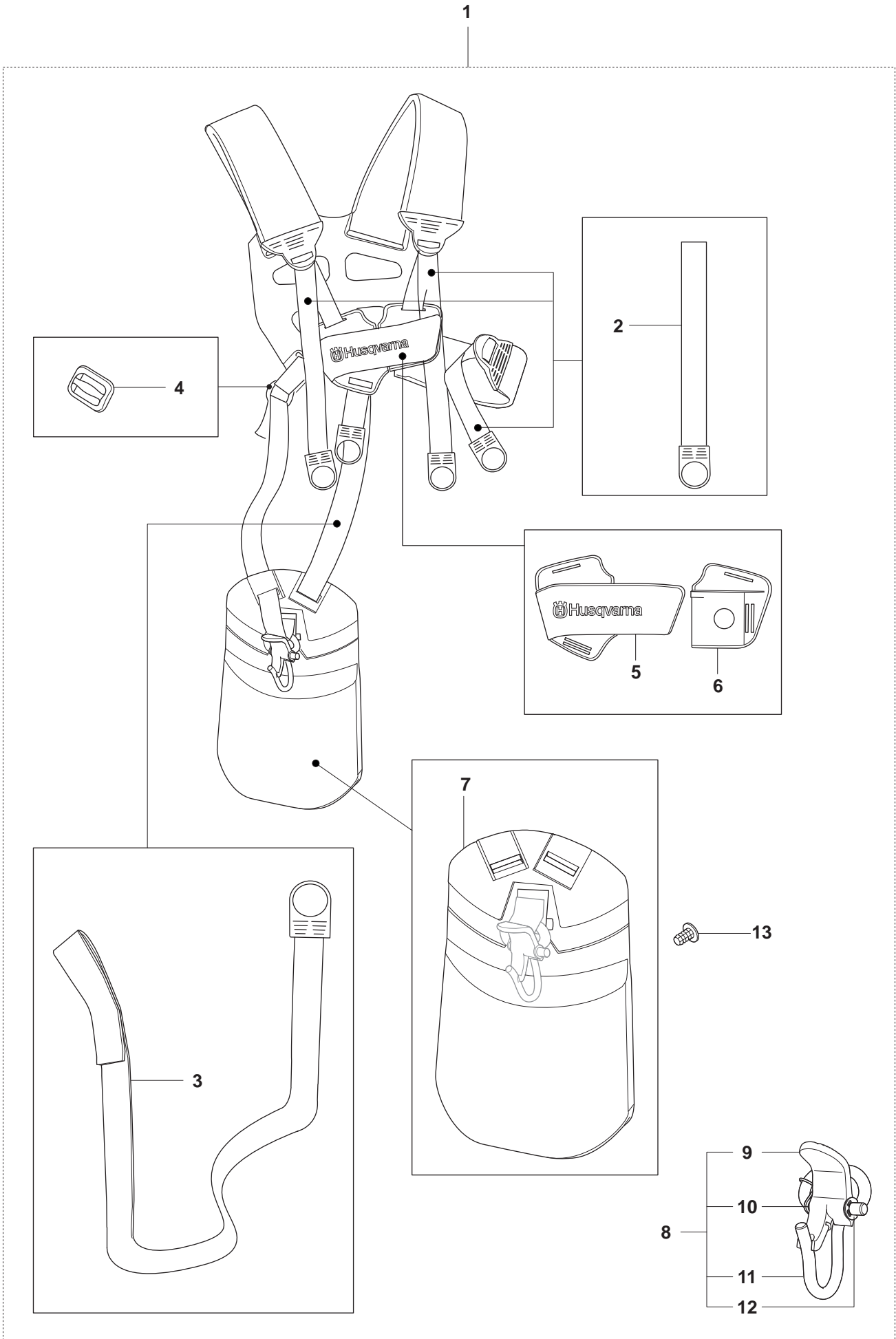
**S2** 327LX, LDX, RX, RDX, RJX, 323RII, 327LS  
ACCESSORIES



**Page S2 327LS, LX, LDX, RX, RDX, RJX ACCESSORIES**  
**323RII**

<b>Position</b>	<b>Article</b>	<b>Quantity</b>	<b>Notes</b>	<b>Kit</b>
1	502 28 59-01	1		
2	502 11 46-02	1		
3	501 60 02-03	1		
4	502 21 58-01	1		
5	531 00 92-48	1		
6	501 69 17-01	1		
7	503 97 64-01	1		
8	537 35 36-01	1		
9	537 13 04-02	1		
10	537 35 01-01	1		
11	725 23 31-51	1		
12	537 31 29-01	1	200-275 mm	
13	537 21 62-01	1		
13	537 21 62-02	1	USA	
14	537 21 63-01	1		
14	537 21 63-02	1	USA	
15	503 73 40-01	1		14
16	503 73 41-02	1		14
17	502 02 28-02	1		14

**T Duo Balance  
HARNESS**



**Page T    327LS, LX, LDX, RX, RDX, RJX    HARNESS**  
**323RII**

<b>Position</b>	<b>Article</b>	<b>Quantity</b>	<b>Notes</b>	<b>Kit</b>
1	537 27 57-01	1		
1	537 27 57-03	1	US	1
2	503 99 61-01	3		1
3	503 99 61-03	1		1
4	537 11 35-01	1		1
5	537 28 84-01	1		1
6	537 28 83-01	1		1
7	537 27 59-01	1		1
8	502 02 28-01	1		1
9	502 02 30-02	1		1,8
10	502 02 38-01	1		1,8
11	502 02 29-02	1		1,8
12	735 31 09-20	1		1,8
13	537 17 54-01	3		1